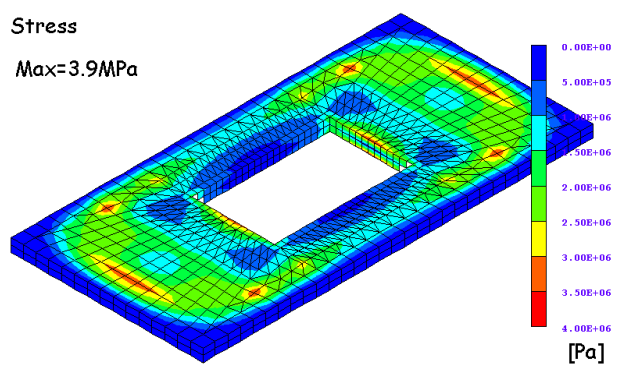
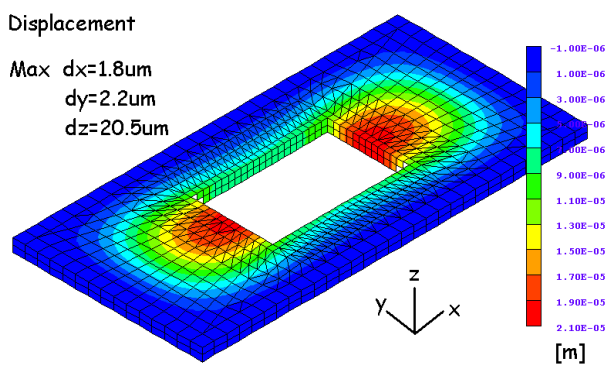


Strength Analysis of the Top Plate and the Square Window
21 Jun, 2001 tokoku

TOP PLATE

- 630mm*310mm*t20mm, Al7075
- Condition
1atm, room temperature
- Boundary Position
edge of plate (edge of window hole are free)
- Displacement is
- Stress is weak enough



WINDOW

- 223mm*133mm*t20mm, CaF2
- Condition
1atm, room temperature
- Boundary Position
Just put on the edge (10mm) of the top plate.
xy-direction are fixed at upper rim of window (like strong friction).
- Heat radiation is not considered.
- Displacement is no problem.
- Stress is no problem.

