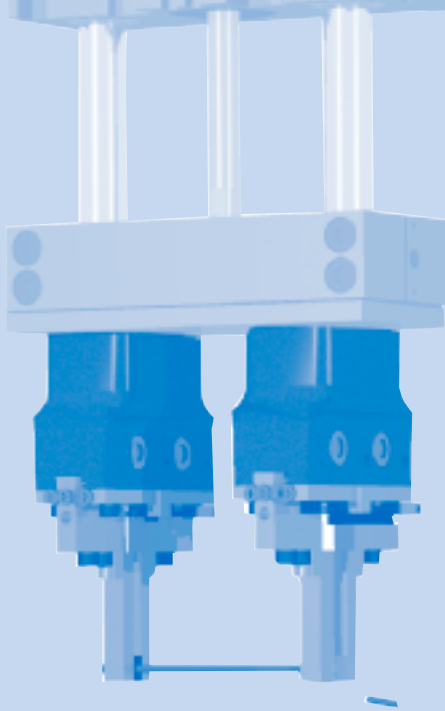
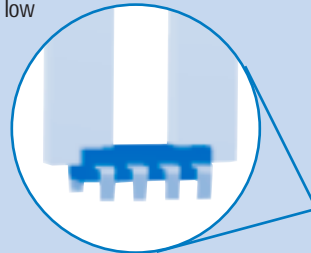


# Parallel Grippers - Precision Series

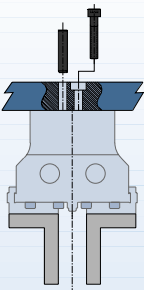


- Precision applications:**  
 Our patented preloaded "Dual-V" roller bearings eliminate side play for excellent part position repeatability.
- Delicate part handling:**  
 Low friction mechanism allows for repeatable gripping forces for gripping delicate parts. Grip force is easily adjusted by regulating air pressure.
- Longer finger applications:**  
 The Dual "V" roller design allows for longer gripper finger lengths to be used when compared to other grippers of equal size. The low friction of mechanism maintains large gripping force at longer finger lengths.

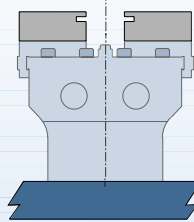


## Mounting Information:

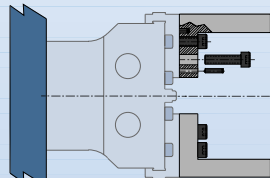
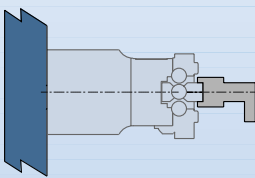
Grippers can be mounted & operated in any orientation



Body mounts with screws and locates with slip fit dowl pins for accuracy



**Warning!** Protect drive and bearing mechanism from falling debris when mounted upside down



Fingers attach to jaws with screws and locate by keying or slip fit dowl pins

## Technical Specifications:

Pneumatic Specifications	Imperial	Metric
Pressure Operating Range	5-100 psi	.3 - 7 bar
Cylinder Type	Double Acting	
Dynamic Seals	Internally Lubricated Buna-N	
Valve Required to Operate	4-way, 2-position	

Air Quality Requirements	
Air Filtration	40 Micron or Better
Air Lubrication	Not Necessary*
Air Humidity	Low Moisture Content (dry)

Temperature Operating Range		
Buna-N Seals (standard)	-30~180° F	-35~80° C
Viton® Seals (optional)	-20~250° F	-30~120° C

Maintenance Specifications <sup>†</sup>	
Expected Life	
Normal Application	5 million cycles
w/ Preventative Maintenance	10 +million cycles*
Field Repairable	Yes
Seal Repair Kits Available	Yes

- Application Restrictions**
- Dirty or gritty environments
  - Machining operations generating chips
  - Environments with loose particulate
  - Applications where mechanism lubricant could cause contamination

\* Addition of lubrication will greatly increase service life  
<sup>†</sup> See maintenance section

## Product Features

**One Piece Body**  
One piece high strength 7075-T6 aircraft quality aluminum body

**Lifetime Lubrication**  
Life time cylinder and drive mechanism lubrication

**Self Lubricating Seals**  
Self lubricating dynamic seals (Buna-N only)

**Dowel Holes**  
Slip fit dowel pin holes in body and jaws

**Accessory Mounting Holes**

**Preloaded Bearings**  
Bearings are preloaded for maximum support and zero side play

**Quality Components**  
Drive components are made from hardened bearing & tool steels

**Patented Bearing Support**  
"Dual-V" roller bearings provide low friction rolling motion

**Hard Coat Anodize**  
The body has hard-coat anodize 60 RC with Teflon<sup>®</sup> impregnation

**Sensors**  
Reads position of jaw (Sold Separately)

**High Grip Force**  
High grip force with respect to size due to extremely efficient drive mechanism

## Operating Principle

Cap

Body

Piston

Needle Bearing

Preload Adjustment Screws

Adjustable Way

Roller Bearings & Cages

Jaw with Rack

Double Rack

Pinion Gear

Fixed Way

Pressure

Exhaust

Exhaust

Pressure

Open Position

Close Position

- A double acting piston connected to a double sided rack drives a set of pinion gears in opposite rotations.
- The synchronized gears drive two jaws with built in racks that are supported by the "Dual-V" roller bearings.
- Suitable for internal or external gripping.

**U.S. Patent # 4,874,194**  
**Designed and manufactured in the USA**

## Style -RP Parallel Gripper

Size **-50PM**

Style:	RP-50P	RP-50PM
Stroke:	.50 in.	12.7 mm
Grip Force:	24 lb	107 N
Weight:	.31 lb	.14 Kg

See Page **1.108**

## Style -RP Parallel Gripper

Size **-100PM**

Style:	RP-100P	RP-100PM
Stroke:	1.00 in.	25.4 mm
Grip Force:	36 lb	160 N
Weight:	.50 lb	.23 Kg

See Page **1.109**

## Style -RP Parallel Gripper

Size **-25PM**

Style:	RP-25P	RP-25PM
Stroke:	1.13 in.	28.7 mm
Grip Force:	80 lb	356 N
Weight:	1.0 lb	.45 Kg

See Page **1.110**

## Style -RP Parallel Gripper

Size **-35PM**

Style:	RP-35P	RP-35PM
Stroke:	1.00 in.	25.4 mm
Grip Force:	175 lb	778 N
Weight:	3.5 lb	1.6 Kg

See Page **1.111**

## Style -RP Parallel Gripper

Size **-40PM**

Style:	RP-40P	RP-40PM
Stroke:	2.00 in.	50.8 mm
Grip Force:	200 lb	890 N
Weight:	6.0 lb	2.7 Kg

See Page **1.112**

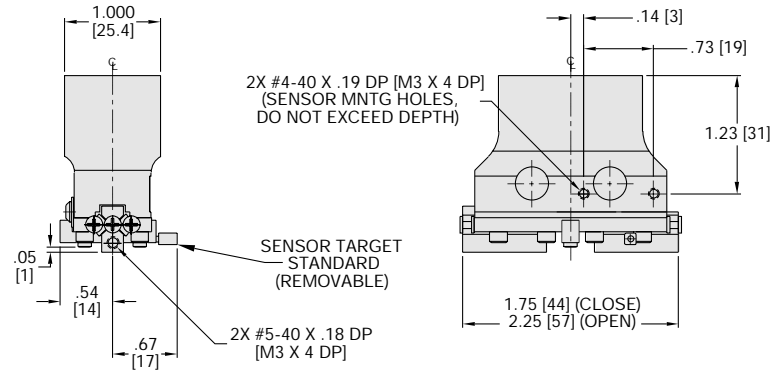
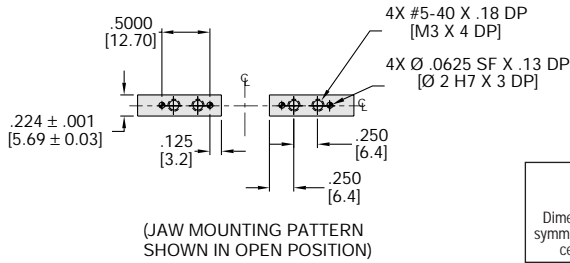
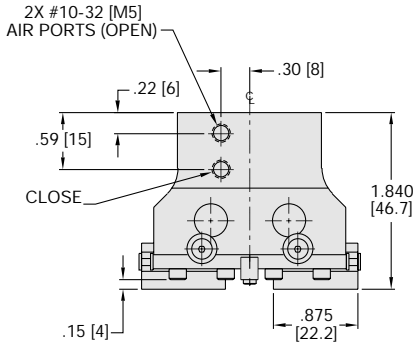
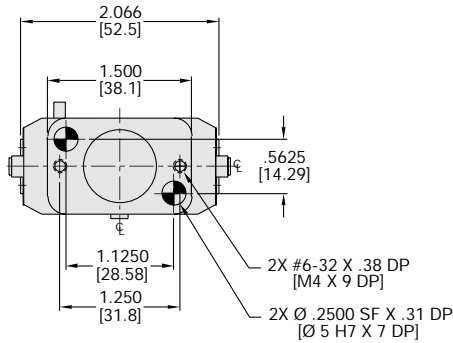
## Style -RP Parallel Gripper

Size **-43PM**

Style:	RP-100P	RP-100PM
Stroke:	3.00 in.	76.2 mm
Grip Force:	500 lb	2224 N
Weight:	16 lb	7.3 Kg

See Page **1.113**

# PARALLEL GRIPPER RP-50PM PRECISION ROLLER BEARING SERIES



Specifications	RP-50P	RP-50PM
Total Rated Grip Force F @ 100 psi, 7 bar...	24 lbs.	107 N
Stroke .....	0.50 in.	12.7 mm
Weight .....	0.31 lbs.	0.14 Kg
Pressure Range .....	5-100 psi	0.3-7 bar
Cylinder Bore Ø .....	0.625 in.	5.9 mm
Displacement .....	0.100 in <sup>3</sup>	1.64 cm <sup>3</sup>
Temperature Range		
Standard Seals .....	-30° ~ 180°F	-35° ~ 80°C
Viton® Seals .....	-20° ~ 250°F	-30° ~ 120°C
Actuation .....	0.14 sec.	0.14 sec.
Accuracy .....	±0.001 in.	±0.03 mm
Repeatability .....	±0.0005 in.	±0.01 mm
Valve required to actuate double acting .....	4-way, 2-position	

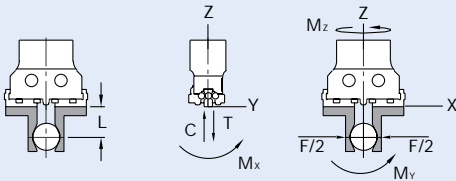
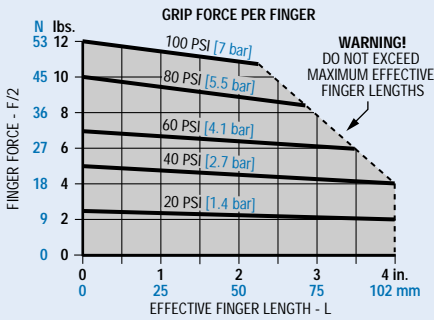
**UNLESS OTHERWISE NOTED ALL TOLERANCES ARE AS SHOWN BELOW**

Imperial in.	Metric [mm]
0.00 ± .01	[0.] = [±.25]
0.000 ± .005	[0.0] = [±.13]
0.0000 ± .0005	[0.00] = [±.013]

Dimensions are symmetrical about centerline | Third Angle Projection | All Dowel Holes are SF (Slip Fit). Locational Tolerance ±.0005" or [±.013mm] | Metric Threads Course Pitch

## Loading Information

## How to Order: (Order Accessories separately from Basic Model)



Loading Capacity <sup>1</sup>	Static		Dynamic	
	Imperial	Metric	Imperial	Metric
Maximum Tensile <b>T</b>	50 lbs.	222 N	15 lbs.	67 N
Maximum Compressive <b>C</b>	50 lbs.	222 N	15 lbs.	67 N
Maximum Moment <b>M<sub>x</sub></b>	50 in.-lbs.	6 Nm	12 in.-lbs.	1 Nm
Maximum Moment <b>M<sub>y</sub></b>	60 in.-lbs.	7 Nm	15 in.-lbs.	2 Nm
Maximum Moment <b>M<sub>z</sub></b>	50 in.-lbs.	6 Nm	12 in.-lbs.	1 Nm

<sup>1</sup>Capacities are per set of jaws and are not simultaneous

BASIC MODEL    VITON® SEALS

**RP-50P** **M** - **V**

METRIC

### OPTICAL ENCODER -E Consult Factory

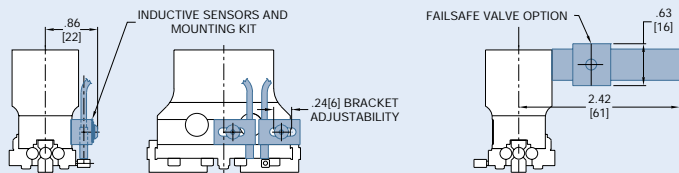
### SENSOR ACCESSORIES\*

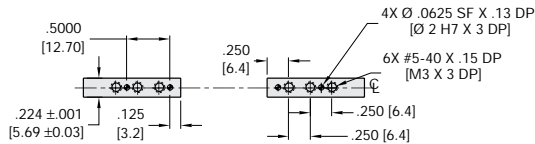
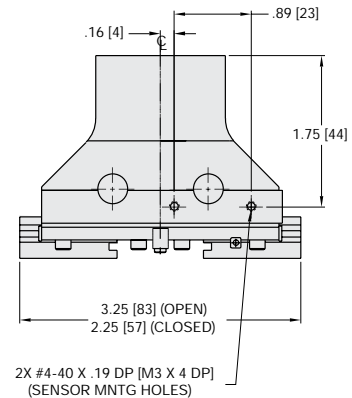
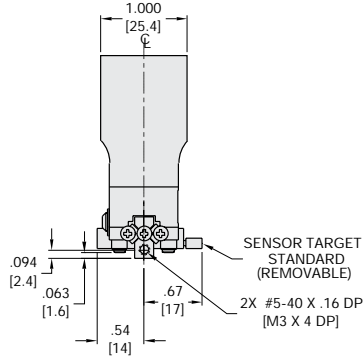
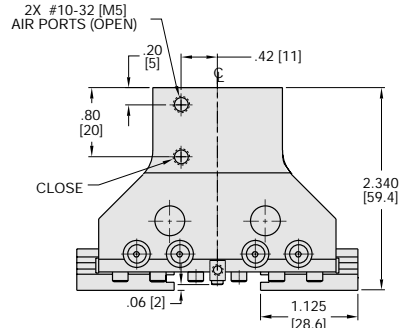
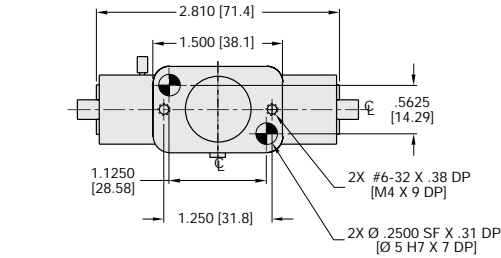
	ORDER #	QTY/UNIT
Sensor Mounting Kit (Imperial/Metric) (mounts 2 sensors)	OSMK-003	1
3mm NPN Inductive Sensor with Quick Disconnect*	OISN-013	1 or 2
3mm PNP Inductive Sensor with Quick Disconnect*	OISP-013	1 or 2
Quick Disconnect 2 Meter Cable Length*	CABL-010	1 or 2
Quick Disconnect 5 Meter Cable Length*	CABL-013	1 or 2

### PNEUMATIC ACCESSORIES

Fail Safe Valve	OFSV-001	1
Stroke Limited Opening Valve (LTD)	OLTD-001	1
Standard Seal Repair Kit	SLKT-053	1
Viton® Seal Repair Kit	SLKT-053V	1

\*Sensor and cable sold separately.





JAW MOUNTING PATTERN (SHOWN IN OPEN POSITION)

Specifications	RP-100P	RP-100PM
Total Rated Grip Force F @ 100 psi, 7 bar...	36 lbs.	160 N
Stroke .....	1.00 in.	25.4 mm
Weight .....	0.50 lbs.	0.23 Kg
Pressure Range .....	5-100 psi	0.3-7 bar
Cylinder Bore Ø .....	0.750 in.	19.1 mm
Displacement .....	0.220 in <sup>3</sup>	3.6 cm <sup>3</sup>
Temperature Range		
Standard Seals .....	-30° ~ 180°F	-35° ~ 80°C
Viton® Seals .....	-20° ~ 250°F	-30° ~ 120°C
Actuation .....	0.18 sec.	0.18 sec.
Accuracy .....	±0.001 in.	±0.03 mm
Repeatability .....	±0.0005 in.	±0.01 mm
Valve required to actuate double acting .....	4-way, 2-position	

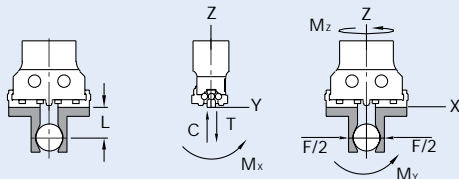
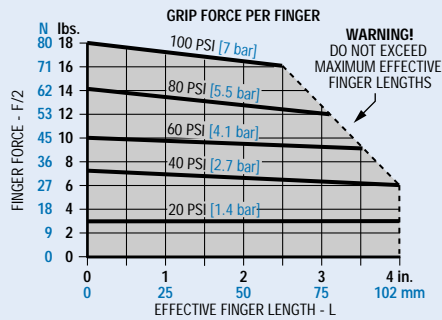
**UNLESS OTHERWISE NOTED ALL TOLERANCES ARE AS SHOWN BELOW**

Imperial in.	Metric [mm]
0.00 = ± .01	[.] = [±.25]
0.000 = ± .005	[0.] = [±.13]
0.0000 = ± .0005	[0.00] = [±.013]

Dimensions are symmetrical about centerline | Third Angle Projection | All Dowel Holes are SF (Slip Fit). Locational Tolerance ±.0005" or [±.013mm] | Metric Threads Course Pitch

## Loading Information

## How to Order: (Order Accessories separately from Basic Model)



Loading Capacity <sup>1</sup>	Static		Dynamic	
	Imperial	Metric	Imperial	Metric
Maximum Tensile <b>T</b>	60 lb	267 N	20 lb	89 N
Maximum Compressive <b>C</b>	60 lb	267 N	20 lb	89 N
Maximum Moment <b>M<sub>x</sub></b>	100 in.-lb	11 Nm	25 in.-lb	3 Nm
Maximum Moment <b>M<sub>y</sub></b>	120 in.-lb	14 Nm	30 in.-lb	3 Nm
Maximum Moment <b>M<sub>z</sub></b>	100 in.-lb	11 Nm	25 in.-lb	3 Nm

<sup>1</sup>Capacities are per set of jaws and are not simultaneous

BASIC MODEL    VITON® SEALS

**RP-100P M - V**

METRIC

### OPTICAL ENCODER -E Consult Factory

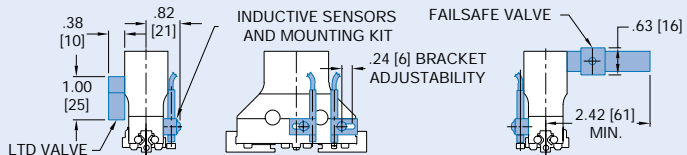
### SENSOR ACCESSORIES\*

	ORDER #	QTY/UNIT
Sensor Mounting Kit (Imperial/Metric) (mounts 2 sensors)	OSMK-004	1
4mm NPN Inductive Sensor with Quick Disconnect*	OISN-014	1 or 2
4mm PNP Inductive Sensor with Quick Disconnect*	OISP-014	1 or 2
Quick Disconnect 2 Meter Cable Length*	CABL-010	1 or 2
Quick Disconnect 5 Meter Cable Length*	CABL-013	1 or 2

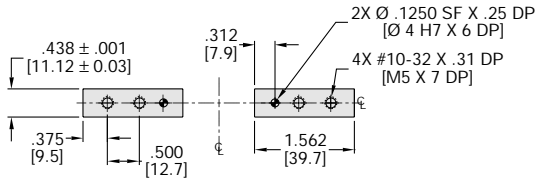
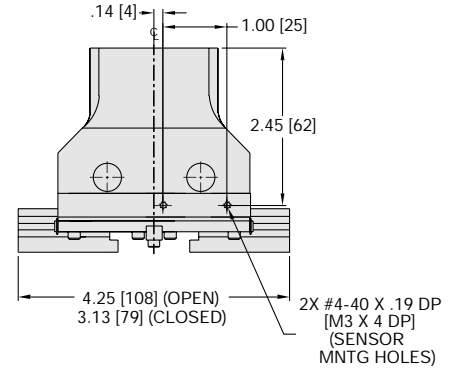
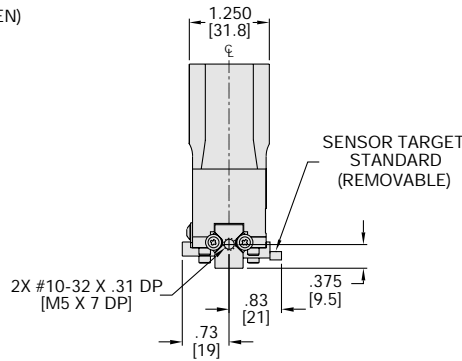
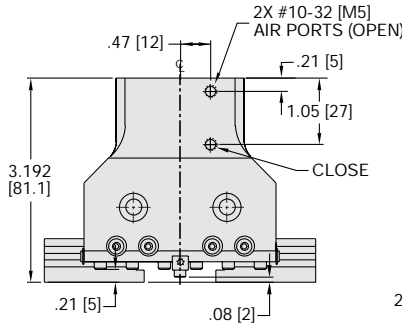
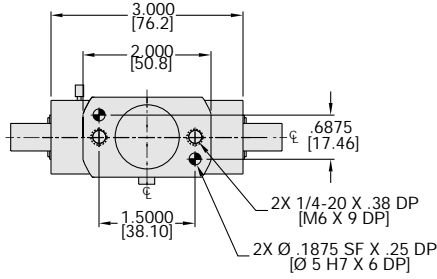
### PNEUMATIC ACCESSORIES

Fail Safe Valve	OFSV-001	1
Stroke Limited Opening Valve (LTD)	OLTD-001	1
Standard Seal Repair Kit	SLKT-037	1
Viton® Seal Repair Kit	SLKT-037V	1

\*Sensor and cable sold separately.



# PARALLEL GRIPPER RP-25PM PRECISION ROLLER BEARING SERIES



JAW MOUNTING PATTERN  
(SHOWN IN OPEN POSITION)

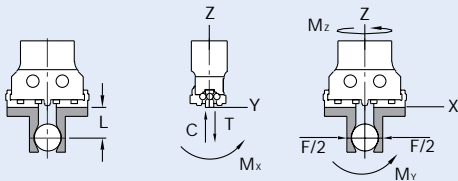
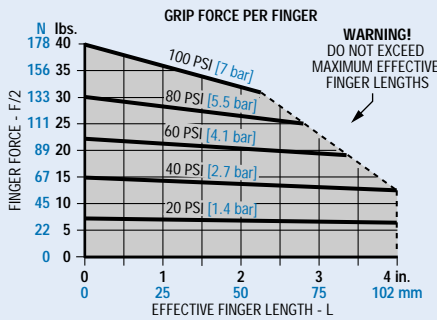
### Specifications

	RP-25P	RP-25PM
Total Rated Grip Force F @ 100 psi, 7 bar...	80 lbs.	356 N
Stroke	1.13 in.	28.7 mm
Weight	1.0 lbs.	0.45 Kg
Pressure Range	5-100 psi	0.3-7 bar
Cylinder Bore Ø	1.00 in.	25.4 mm
Displacement	0.500 in <sup>3</sup>	8.2 cm <sup>3</sup>
Temperature Range		
Standard Seals	-30°~180°F	-35°~80°C
Viton® Seals	-20°~250°F	-30°~120°C
Actuation	0.21 sec.	0.21 sec.
Accuracy	±0.001 in.	±0.03 mm
Repeatability	±0.0005 in.	±0.01 mm
Valve required to actuate double acting	4-way, 2-position	

UNLESS OTHERWISE NOTED ALL TOLERANCES ARE AS SHOWN BELOW

	Imperial in.	Metric [mm]
Dimensions are symmetrical about centerline	0.00 = ± .01	[0] = [± .25]
Third Angle Projection	0.000 = ± .005	[0.0] = [± .13]
All Dowel Holes are SF (Slip Fit). Locational Tolerance ±.0005" or [±.013mm]	0.0000 = ± .0005	[0.00] = [± .013]
Metric Threads		
Course Pitch		

## Loading Information

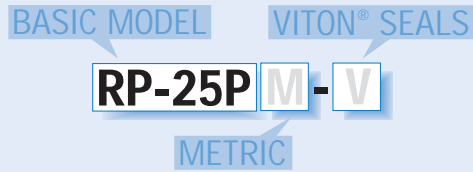


### Loading Capacity<sup>1</sup>

	Static		Dynamic	
	Imperial	Metric	Imperial	Metric
Maximum Tensile <b>T</b>	100 lbs.	445 N	30 lbs.	133 N
Maximum Compressive <b>C</b>	100 lbs.	445 N	30 lbs.	133 N
Maximum Moment <b>M<sub>x</sub></b>	200 in.-lbs.	23 Nm	50 in.-lb	6 Nm
Maximum Moment <b>M<sub>y</sub></b>	250 in.-lbs.	28 Nm	60 in.-lbs.	7 Nm
Maximum Moment <b>M<sub>z</sub></b>	200 in.-lbs.	23 Nm	50 in.-lbs.	6 Nm

<sup>1</sup>Capacities are per set of jaws and are not simultaneous

## How to Order: (Order Accessories separately from Basic Model)



OPTICAL ENCODER -E Consult Factory

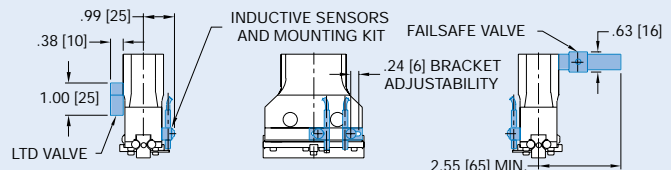
### SENSOR ACCESSORIES\*

	ORDER #	QTY/UNIT
Sensor Mounting Kit (Imperial/Metric) (mounts 2 sensors)	OSMK-004	1
4mm NPN Inductive Sensor with Quick Disconnect*	OISP-014	1 or 2
4mm PNP Inductive Sensor with Quick Disconnect*	OISP-014	1 or 2
Quick Disconnect 2 Meter Cable Length*	CABL-010	1 or 2
Quick Disconnect 5 Meter Cable Length*	CABL-013	1 or 2

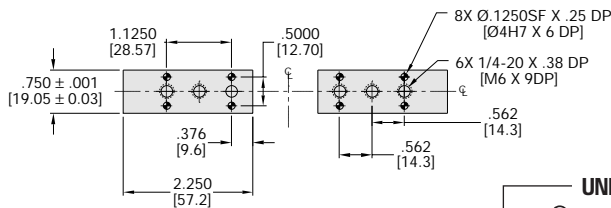
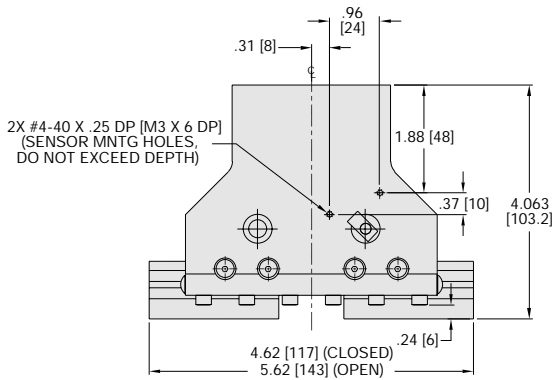
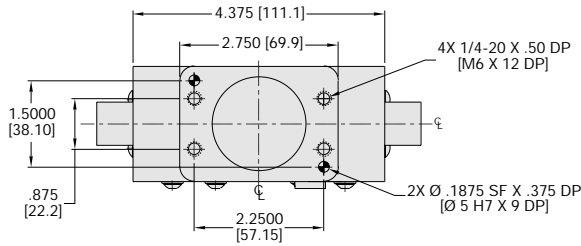
### PNEUMATIC ACCESSORIES

Fail Safe Valve	OFSV-001	1
Stroke Limited Opening Valve (LTD)	OLTD-001	1
Standard Seal Repair Kit	SLKT-046	1
Viton® Seal Repair Kit	SLKT-046V	1

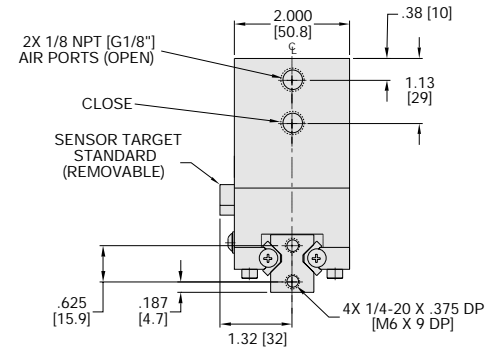
\*Sensor and cable sold separately.







JAW MOUNTING PATTERN (SHOWN IN OPEN POSITION)

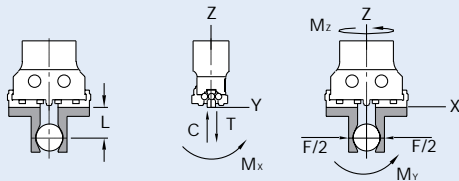
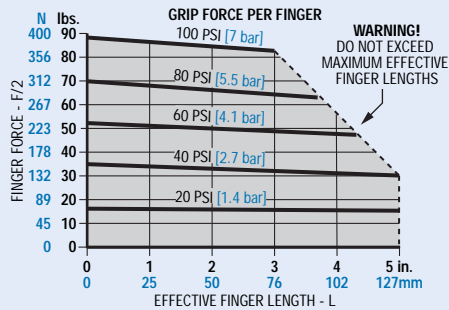


Specifications	RP-35P	RP-35PM
Total Rated Grip Force F @ 100 psi, 7 bar...	175 lbs.	778 N
Stroke	1.00 in.	25.4 mm
Weight	3.5 lbs.	1.6 Kg
Pressure Range	5-100 psi	0.3-7 bar
Cylinder Bore Ø	1.62 in.	41.1 mm
Displacement	1.036 in <sup>3</sup>	17.0 cm <sup>3</sup>
Temperature Range		
Standard Seals	-30°-180°F	-35°-80°C
Viton® Seals	-20°-250°F	-30°-120°C
Actuation	0.33 sec.	0.33 sec.
Accuracy	±0.001 in.	±0.03 mm
Repeatability	±0.0005 in.	±0.01 mm
Valve required to actuate double acting	4-way, 2-position	

UNLESS OTHERWISE NOTED ALL TOLERANCES ARE AS SHOWN BELOW

Imperial in.	Metric [mm]
0.00 = ± .01	[0] = [±.25]
0.000 = ± .005	[0.0] = [±.13]
0.0000 = ± .0005	[0.00] = [±.013]

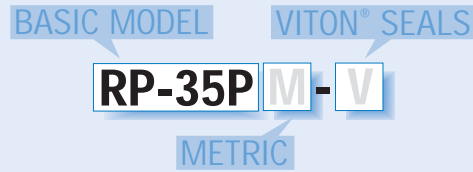
## Loading Information



Loading Capacity <sup>1</sup>	Static		Dynamic	
	Imperial	Metric	Imperial	Metric
Maximum Tensile T	200 lb	890 N	75 lb	334 N
Maximum Compressive C	200 lb	890 N	75 lb	334 N
Maximum Moment M <sub>x</sub>	500 in.-lb	57 Nm	125 in.-lb	14 Nm
Maximum Moment M <sub>y</sub>	600 in.-lb	68 Nm	150 in.-lb	17 Nm
Maximum Moment M <sub>z</sub>	500 in.-lb	57 Nm	125 in.-lb	14 Nm

<sup>1</sup>Capacities are per set of jaws and are not simultaneous

## How to Order: (Order Accessories separately from Basic Model)



### OPTICAL ENCODER -E Consult Factory

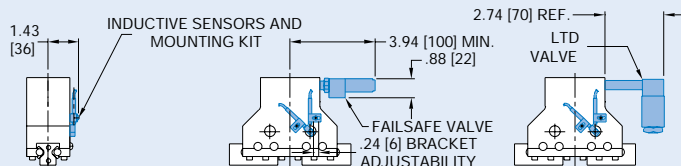
#### SENSOR ACCESSORIES\*

	ORDER #	QTY/UNIT
Sensor Mounting Kit (Imperial/Metric) (mounts 2 sensors)	OSMK-023	1
4mm NPN Inductive Sensor with Quick Disconnect*	OISN-014	1 or 2
4mm PNP Inductive Sensor with Quick Disconnect*	OISP-014	1 or 2
Quick Disconnect 2 Meter Cable Length*	CABL-010	1 or 2
Quick Disconnect 5 Meter Cable Length*	CABL-013	1 or 2

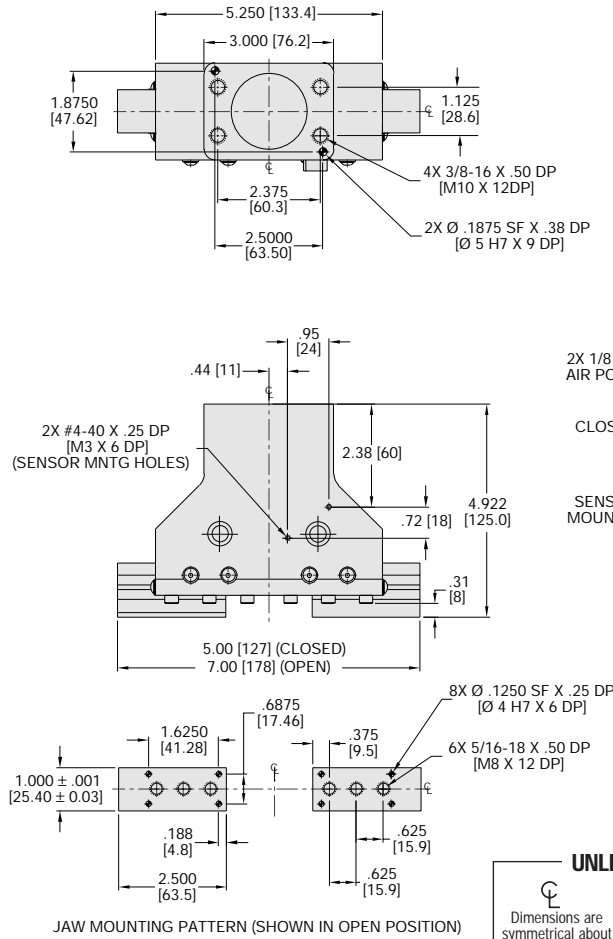
#### PNEUMATIC ACCESSORIES

Fail Safe Valve	OFSV-002	1
Stroke Limited Opening Valve (LTD)	OLTD-002	1
Standard Seal Repair Kit	SLKT-049	1
Viton® Seal Repair Kit	SLKT-049V	1

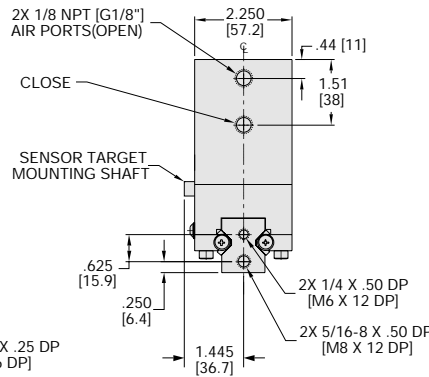
\*Sensor and cable sold separately.



# PARALLEL GRIPPER RP-40PM PRECISION ROLLER BEARING SERIES



Specifications	RP-40P	RP-40PM
Total Rated Grip Force F @ 100 psi, 7 bar...	200 lbs.	890 N
Stroke	2.00 in.	50.8 mm
Weight	6.0 lbs.	2.7 Kg
Pressure Range	5-100 psi	0.3-7 bar
Cylinder Bore Ø	1.75 in.	44.4 mm
Displacement	1.710 in <sup>3</sup>	28.0 cm <sup>3</sup>
Temperature Range		
Standard Seals	-30° ~ 180°F	-35° ~ 80°C
Viton® Seals	-20° ~ 250°F	-30° ~ 120°C
Actuation	0.39 sec.	0.39 sec.
Accuracy	±0.002 in.	±0.05 mm
Repeatability	±0.001 in.	±0.03 mm
Valve required to actuate double acting.....	4-way, 2-position	

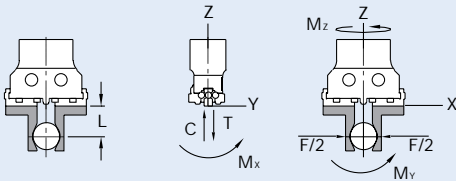
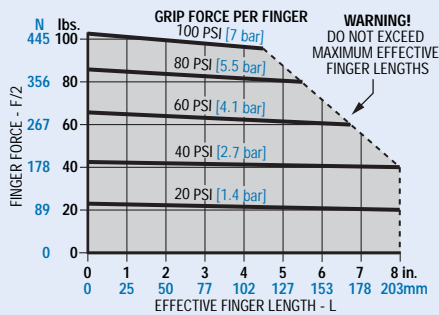


UNLESS OTHERWISE NOTED ALL TOLERANCES ARE AS SHOWN BELOW

Imperial in.	Metric [mm]
0.00 ± .01	[0.] ± [.25]
0.000 ± .005	[0.0] ± [.13]
0.0000 ± .0005	[0.00] ± [.013]

## Loading Information

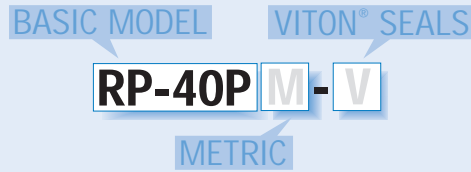
How to Order: (Order Accessories separately from Basic Model)



### Loading Capacity<sup>1</sup>

	Static		Dynamic	
	Imperial	Metric	Imperial	Metric
Maximum Tensile <b>T</b>	400 lb	1779 N	150 lb	667 N
Maximum Compressive <b>C</b>	400 lb	1779 N	150 lb	667 N
Maximum Moment <b>M<sub>x</sub></b>	1000 in.-lb	113 Nm	250 in.-lb	28 Nm
Maximum Moment <b>M<sub>y</sub></b>	1200 in.-lb	136 Nm	300 in.-lb	34 Nm
Maximum Moment <b>M<sub>z</sub></b>	1000 in.-lb	113 Nm	250 in.-lb	28 Nm

<sup>1</sup>Capacities are per set of jaws and are not simultaneous



OPTICAL ENCODER -E Consult Factory

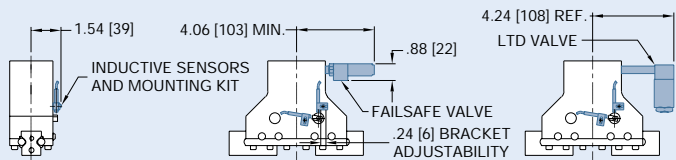
SENSOR ACCESSORIES\*

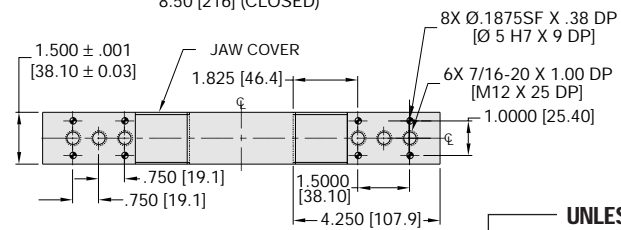
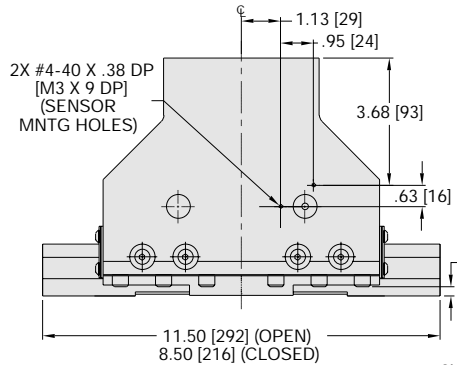
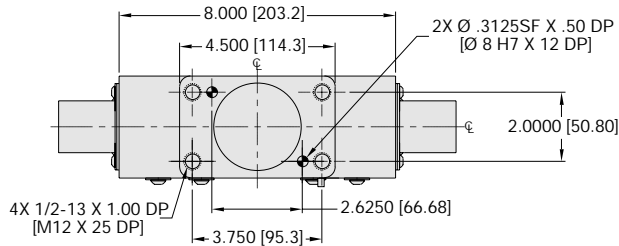
	ORDER #	QTY/UNIT
Sensor Mounting Kit (Imperial/Metric) (mounts 2 sensors)	OSMK-023	1
4mm NPN Inductive Sensor with Quick Disconnect*	OISN-014	1 or 2
4mm PNP Inductive Sensor with Quick Disconnect*	OISP-014	1 or 2
Quick Disconnect 2 Meter Cable Length*	CABL-010	1 or 2
Quick Disconnect 5 Meter Cable Length*	CABL-013	1 or 2

PNEUMATIC ACCESSORIES

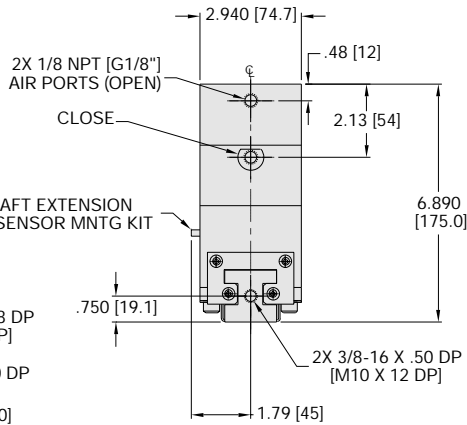
Fail Safe Valve	OFSV-002	1
Stroke Limited Opening Valve (LTD)	OLTD-002	1
Standard Seal Repair Kit	SLKT-050	1
Viton® Seal Repair Kit	SLKT-050V	1

\*Sensor and cable sold separately.





JAW MOUNTING PATTERN  
(SHOWN IN OPEN POSITION)



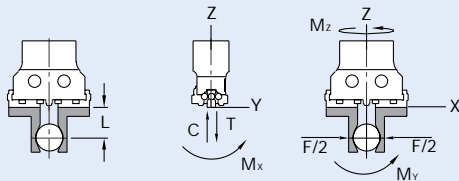
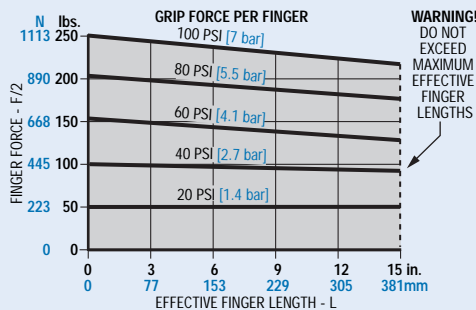
Specifications	RP-43P	RP-43PM
Total Rated Grip Force F @ 100 psi, 7 bar...	500 lbs.	2224 N
Stroke	3.00 in.	76.2 mm
Weight	16 lbs.	7.3 Kg
Pressure Range	5-100 psi	0.3-7 bar
Cylinder Bore Ø	2.50 in.	63.5 mm
Displacement	7.360 in <sup>3</sup>	120.6 cm <sup>3</sup>
Temperature Range		
Standard Seals	-30° ~ 180°F	-35° ~ 80°C
Viton® Seals	-20° ~ 250°F	-30° ~ 120°C
Actuation	0.59 sec.	0.59 sec.
Accuracy	±0.002 in.	±0.05 mm
Repeatability	±0.001 in.	±0.03 mm
Valve required to actuate double acting.....	4-way, 2-position	

UNLESS OTHERWISE NOTED ALL TOLERANCES ARE AS SHOWN BELOW

Imperial in.	Metric [mm]
0.00 ± .01	[0.] = [±.25]
0.000 ± .005	[0.0] = [±.13]
0.0000 ± .0005	[0.00] = [±.013]

## Loading Information

## How to Order: (Order Accessories separately from Basic Model)



### Loading Capacity<sup>1</sup>

	Static		Dynamic	
	Imperial	Metric	Imperial	Metric
Maximum Tensile <b>T</b>	1000 lb	4448 N	350 lb	1557 N
Maximum Compressive <b>C</b>	1000 lb	4448 N	350 lb	1557 N
Maximum Moment <b>M<sub>x</sub></b>	2500 in.-lb	283 Nm	500 in.-lb	57 Nm
Maximum Moment <b>M<sub>y</sub></b>	3000 in.-lb	339 Nm	600 in.-lb	68 Nm
Maximum Moment <b>M<sub>z</sub></b>	2500 in.-lb	283 Nm	500 in.-lb	57 Nm

<sup>1</sup>Capacities are per set of jaws and are not simultaneous

BASIC MODEL VITON® SEALS  
**RP-43P M - V**  
METRIC

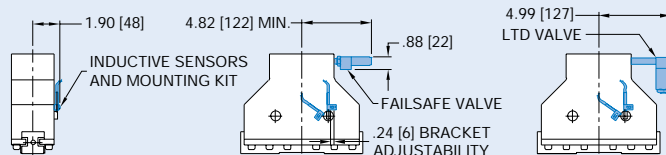
### SENSOR ACCESSORIES\*

	ORDER #	QTY/UNIT
Sensor Mounting Kit (Imperial/Metric) (mounts 2 sensors)	OSMK-023	1
4mm NPN Inductive Sensor with Quick Disconnect*	OISN-014	1 or 2
4mm PNP Inductive Sensor with Quick Disconnect*	OISP-014	1 or 2
Quick Disconnect 2 Meter Cable Length*	CABL-010	1 or 2
Quick Disconnect 5 Meter Cable Length*	CABL-013	1 or 2

### PNEUMATIC ACCESSORIES

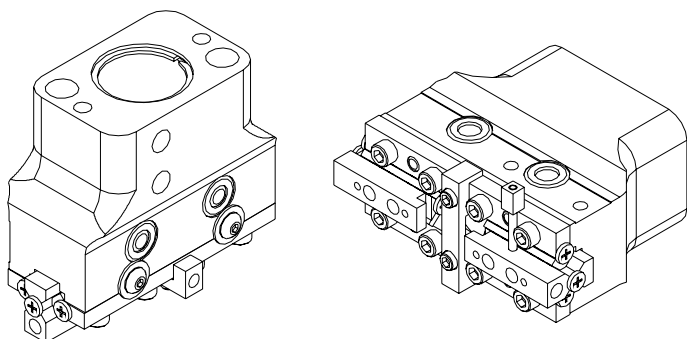
Fail Safe Valve	OFSV-002	1
Stroke Limited Opening Valve (LTD)	OLTD-002	1
Standard Seal Repair Kit	SLKT-051	1
Viton® Seal Repair Kit	SLKT-051V	1

\*Sensor and cable sold separately.





# RP-P Series Exploded View



Item	Qty	Name
01	1	Body
02	1	Cap
03	1	Rack, Double
05	1	Piston
07	2	Gear
08	1	Way, Fixed
09	1	Way, Adjustable
10	1	Bridge
16	1	Target Block
20	2	Rack, Finger With Target Hole
21	4	S'assy, Roller/Cage Assy.
22	4	Bearing, Needle
30	4	Washer, Flat
31	2	Dowel Pin
32	2	Dowel Pin
33	1	Roll Pin
34	4	BHCS
35	1	SSS, Cup Point

**NOTE:** Contact the Robohand Sales Department for a complete spare parts list with order numbers and prices.

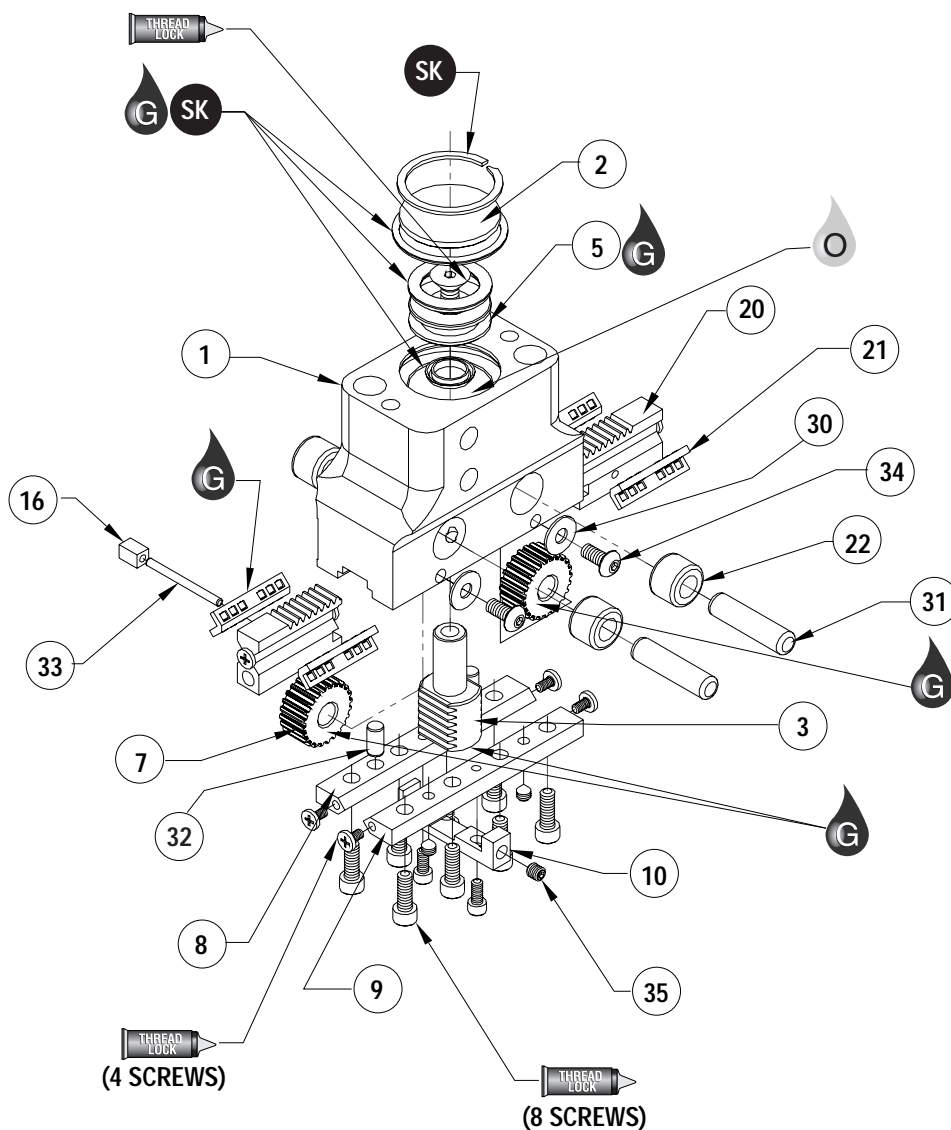
### Assembly Procedures

- 1) Lubricate and install seals.
- 2) Press bearings in body. install gears in body.
- 3) Press shafts thru gears and bearings.
- 4) Install double rack and piston, making sure piston is retracted
- 5) Install cap and retaining ring.
- 6) Place jaws on gears, centered in body, in closed position.
- 7) Place ways and cages onto body.
- 8) Install bridge and adjust preload.

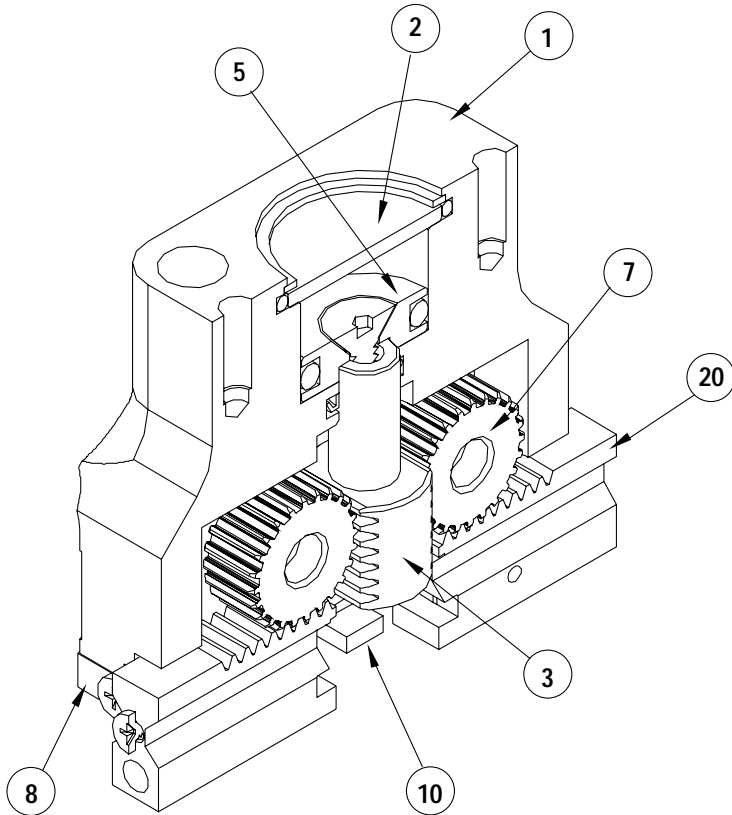
### Preload Adjustment Procedure

- 1) Tighten screws (#34) until fingers bind slightly.(there should be no play in the fingers.)
- 2) Cycle the gripper.
- 3) Re-adjust screws so that when you push on the cage, the finger moves freely. (the finger movement should not feel gritty.)

**SK** Seal Repair Kit Order #'s  
See Product Data Sheets



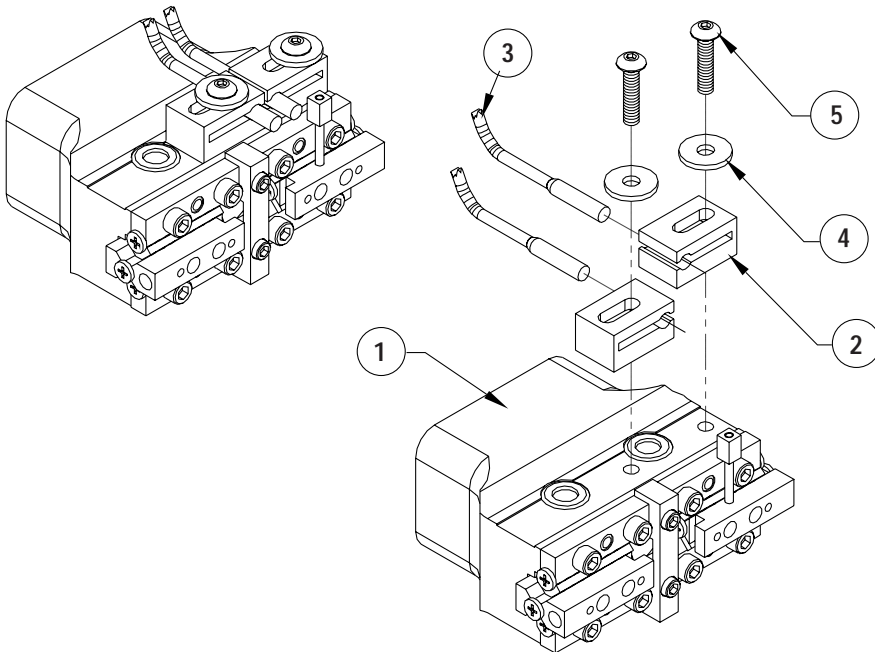
--	--	--	--	--	--	--



Item	Qty	Name
01	1	Body
02	1	Cap
03	1	Rack, Double
05	1	Piston
07	2	Gear
08	1	Way, Fixed
09	1	Way, Adjustable
10	1	Bridge
16	1	Target Block
20	2	Rack, Finger With Target Hole
21	4	S'assy, Roller/Cage Assy.
22	4	Bearing, Needle
30	4	Washer, Flat
31	2	Dowel Pin
32	2	Dowel Pin
33	1	Roll Pin
34	4	BHCS
35	1	SSS, Cup Point

**NOTE:** Contact the Robohand Sales Department for a complete spare parts list with order numbers and prices.

### Accessory Installation & Adjustment Instructions



**Installation**

- 1) Install sensors as shown.
- 2) Adjust for end stroke sensing.

Seal Kit Items	Thread Locker	Krytox™ Lubricant	Lightweight Machine Oil	Teflon® Based Grease	Super Bonder	Third Angle Projection