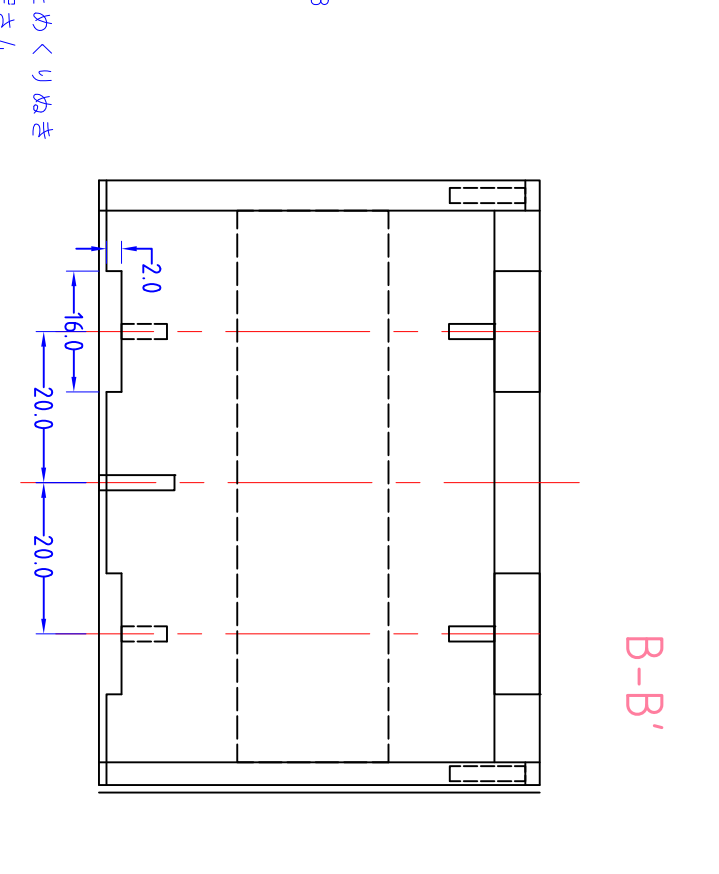
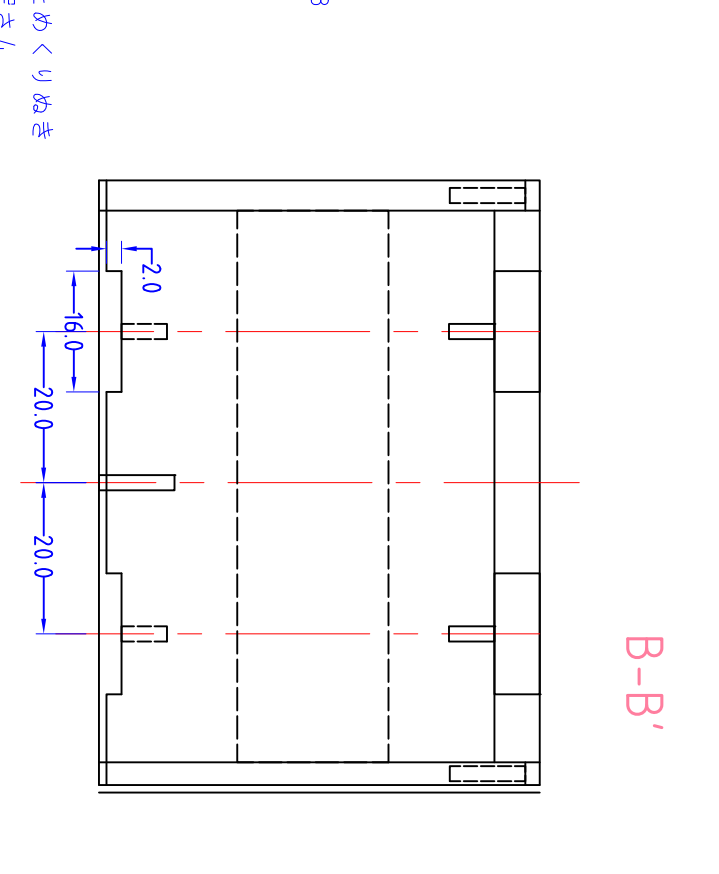
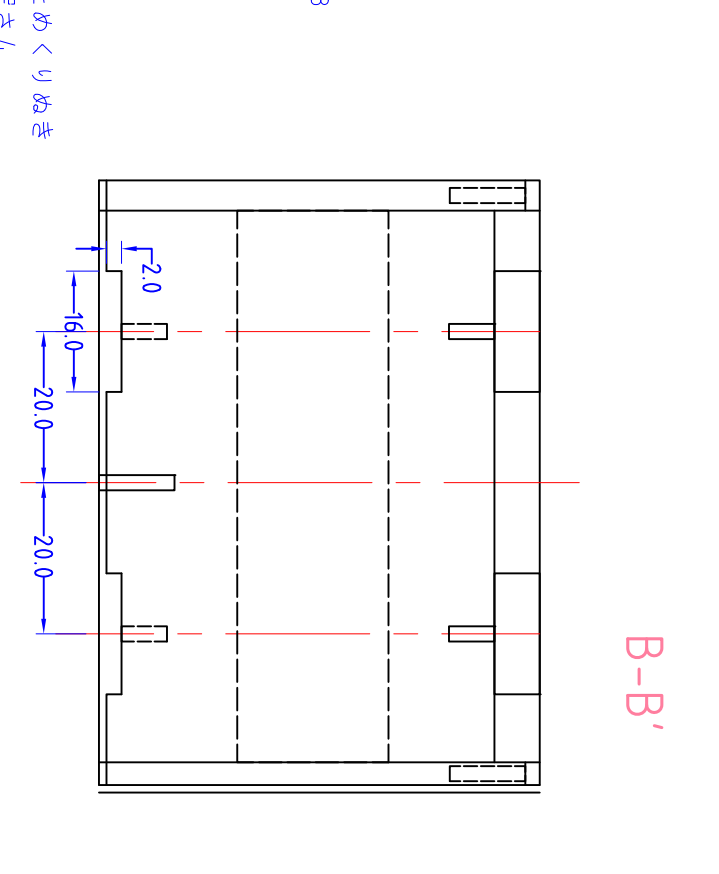
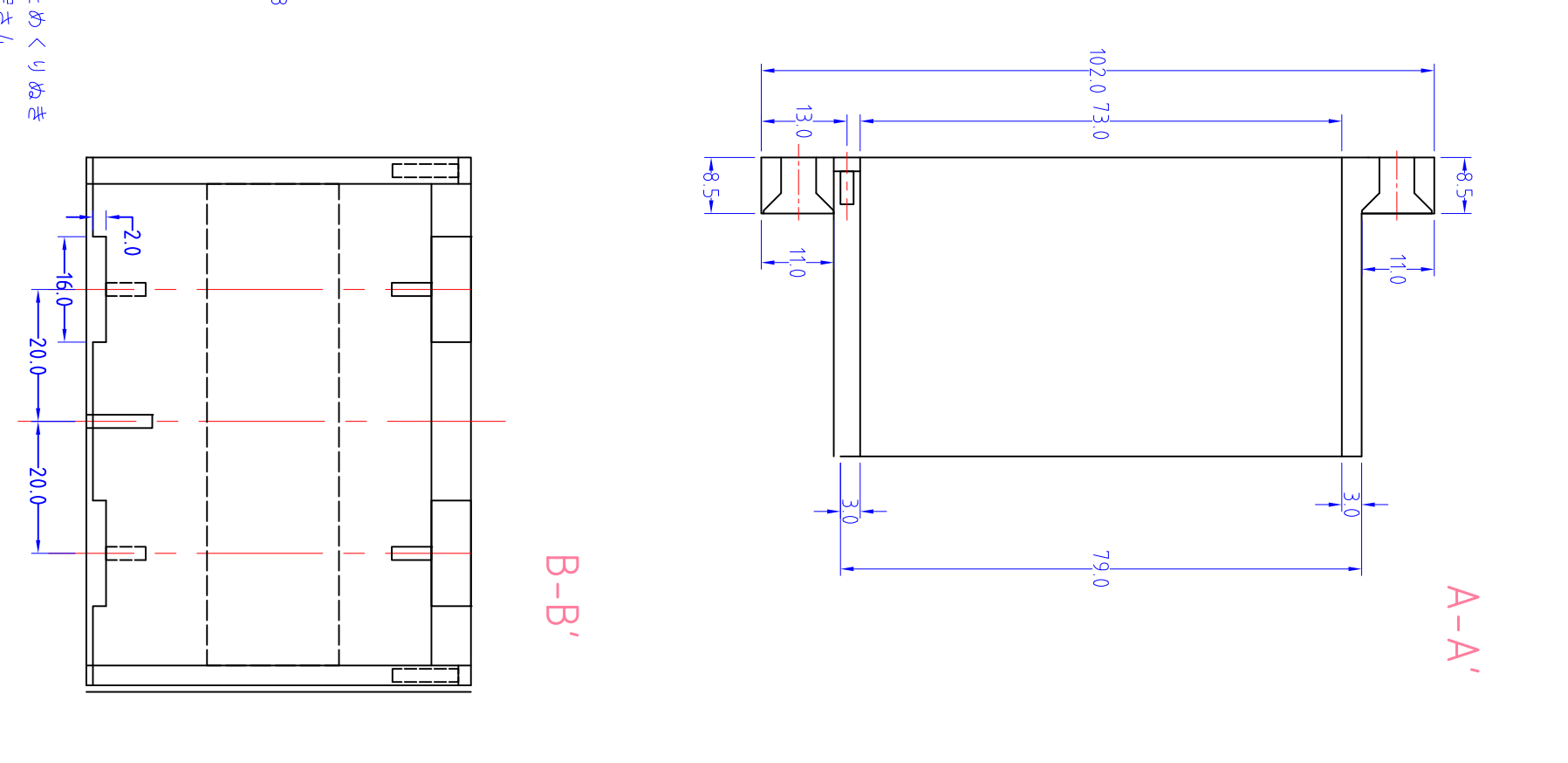
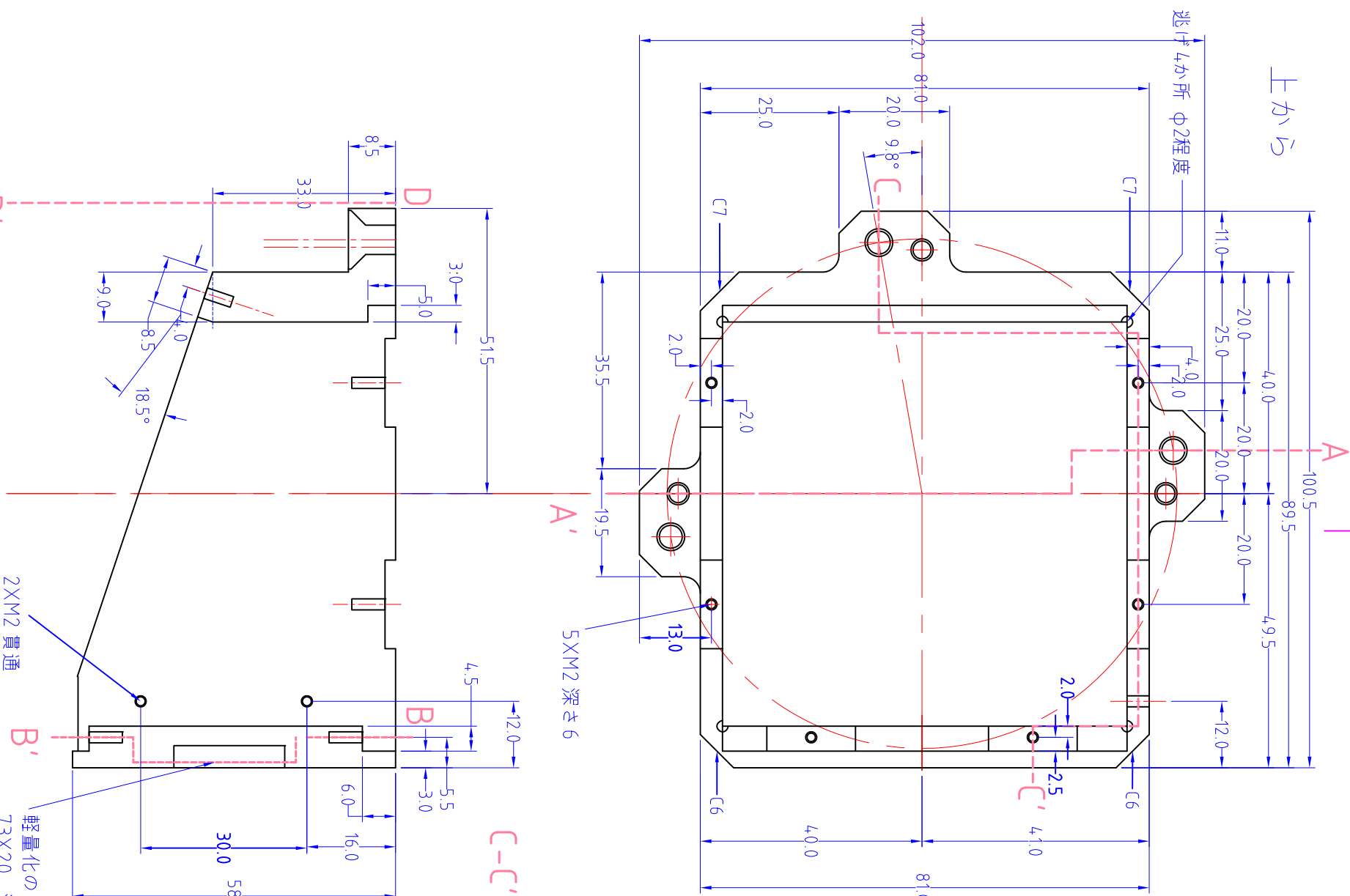
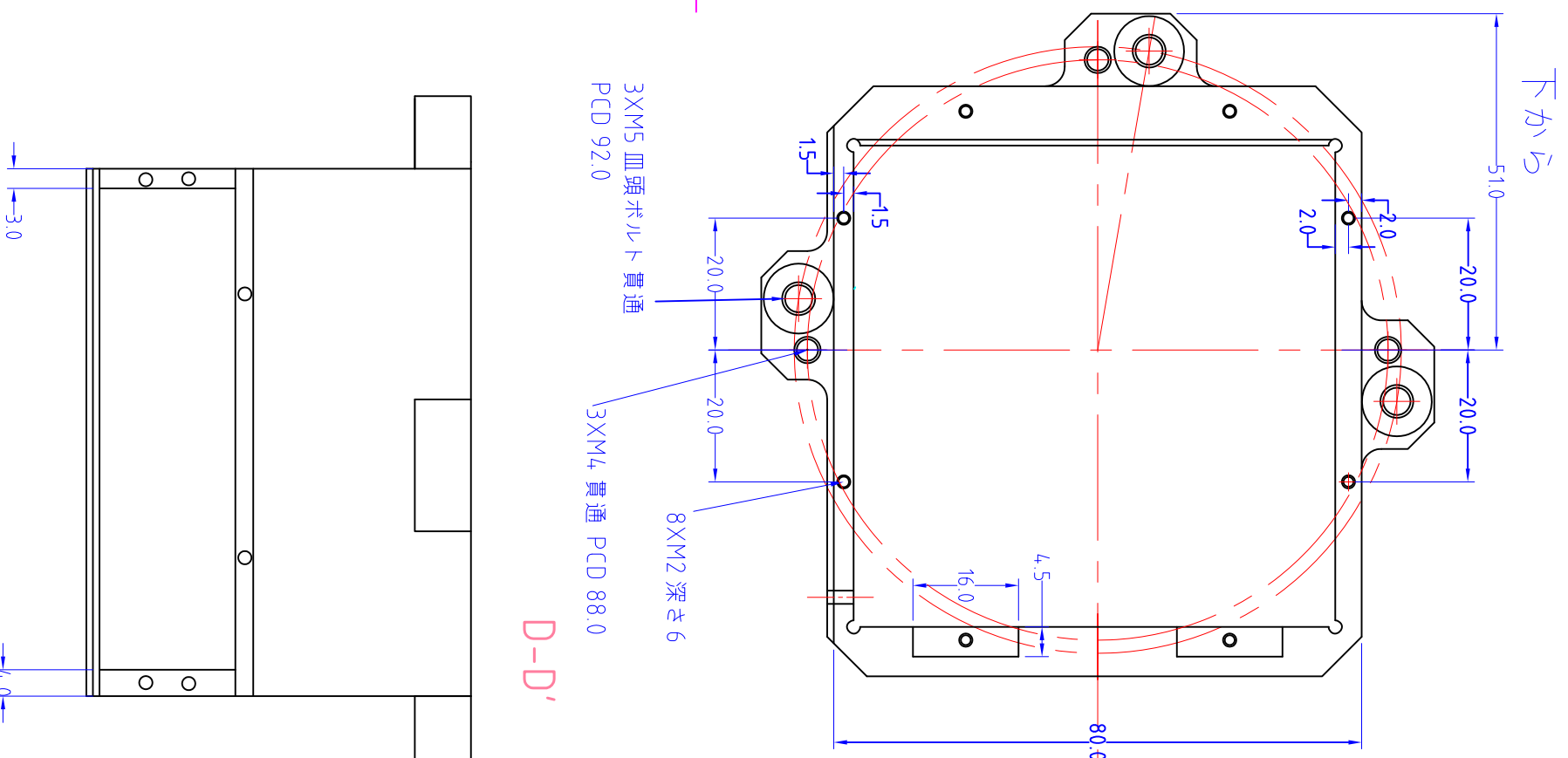


7Xφ2.2通し
7Xφ6深さ1.5
(カウンターシンク)

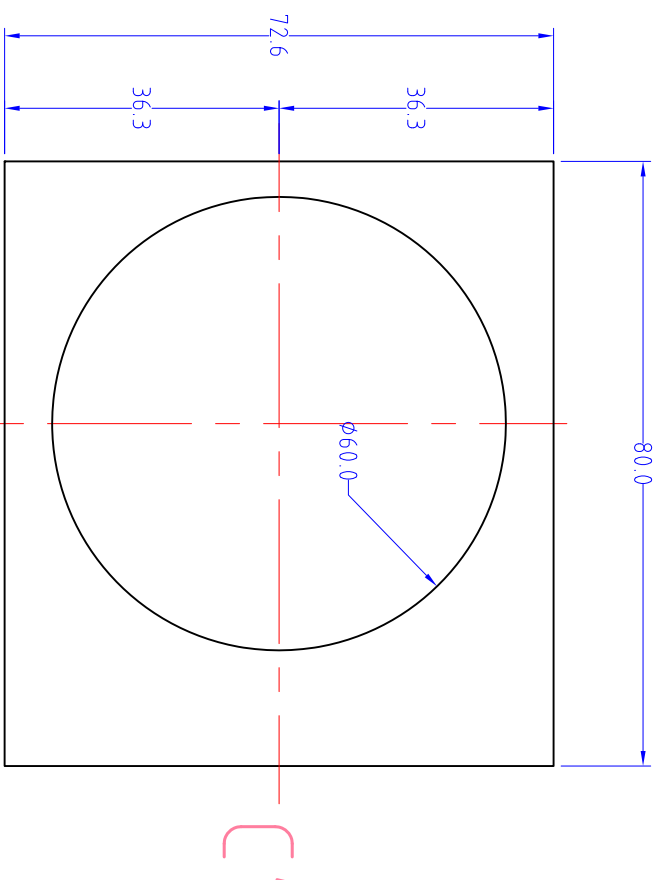
※ 光学部品 (低温で使用)
※ 表面精度 Ra=1.6

				TITLE VPHK HOLDER -- Base		ORGANIZATION ASTRONOMICAL INSTITUTE, TOHOKU UNIVERSITY	
TOLERANCE UNLESS OTHERWISE NOTED X +/- .1 XX +/- .01 Z +/- .5				MATERIAL Aluminum 6061-T651		DESIGN CHIHIRO TOKOKU	
DIMENSIONS mm				REVISED DATE 3/9/2009		DRAWING SIZE A3	
QUANTITY 1				SCALE 1:1			

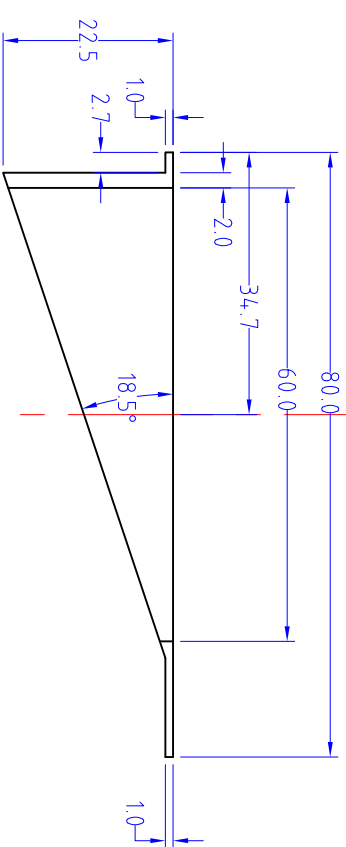


 TOLERANCE UNLESS OTHERWISE NOTED X +/- .1 XX +/- .01 Z +/- .5	 MATERIAL Aluminum 6061-T651	TITLE	ORGANIZATION
		VPHK HOLDER -- Cover	ASTRONOMICAL INSTITUTE, TOHOKU UNIVERSITY
 DESIGN CHIHIRO TOKOKU	 REVISED DATE 3/9/2009	DIMENSIONS	DRAWING SIZE
		mm	A3
 QUANTITY 1	 SCALE 1 : 1		

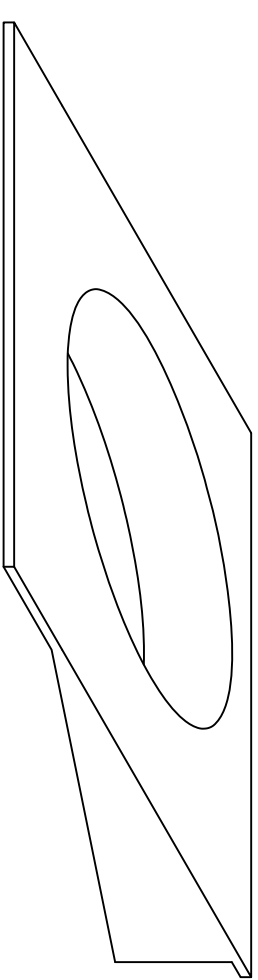
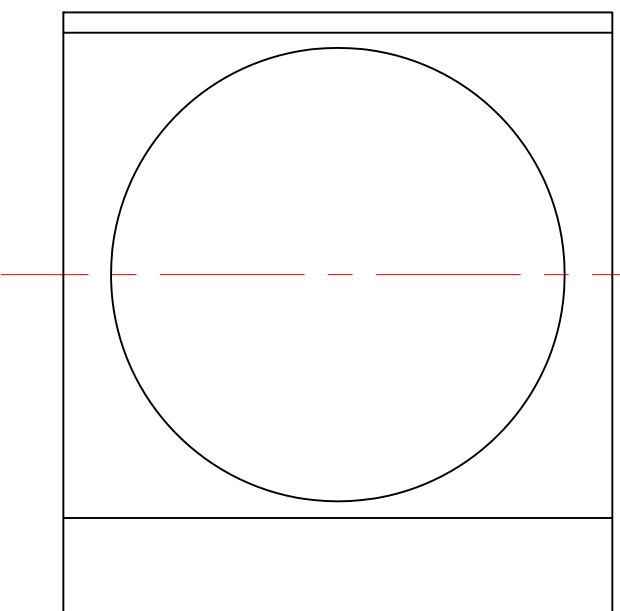
上から



C-C'



下から



円をくりぬいた内壁にサンドブラスト（粗さなどの指定？）

	TOLERANCE UNLESS OTHERWISE NOTED	TITLE VPH HOLDER -- Spacer	ORGANIZATION ASTRONOMICAL INSTITUTE, TOHOKU UNIVERSITY
	MATERIAL Aluminum 6061-T651	DESIGN CHIHIRO TOKOKU	REVISED DATE 3/9/2009
	DIMENSIONS mm	QUANTITY 1	DRAWING SIZE A3
	TOLERANCE X +/- .1 .XX +/- .01 L +/- .5	SCALE 1 : 1	