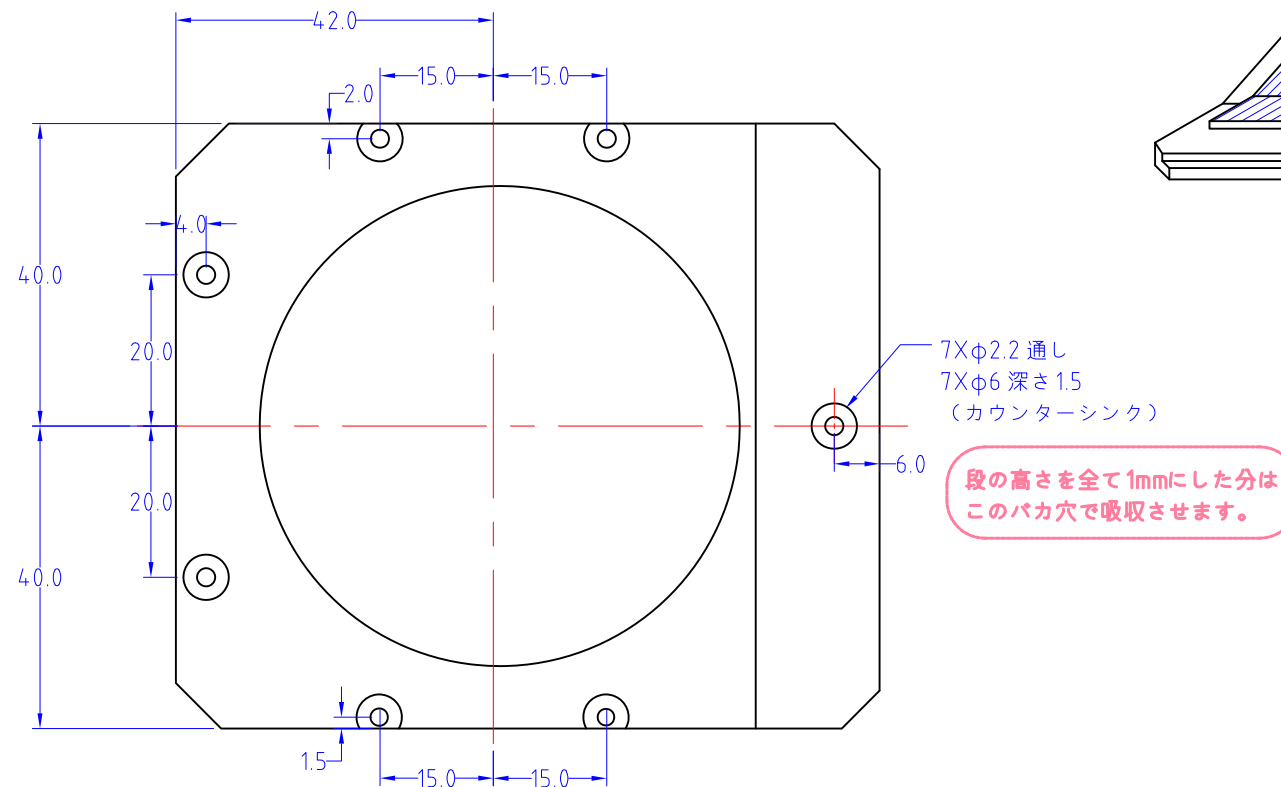


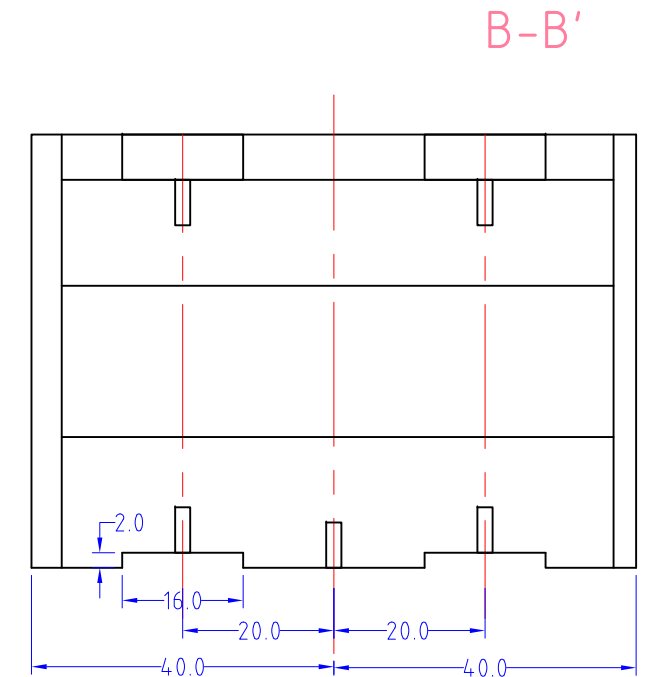
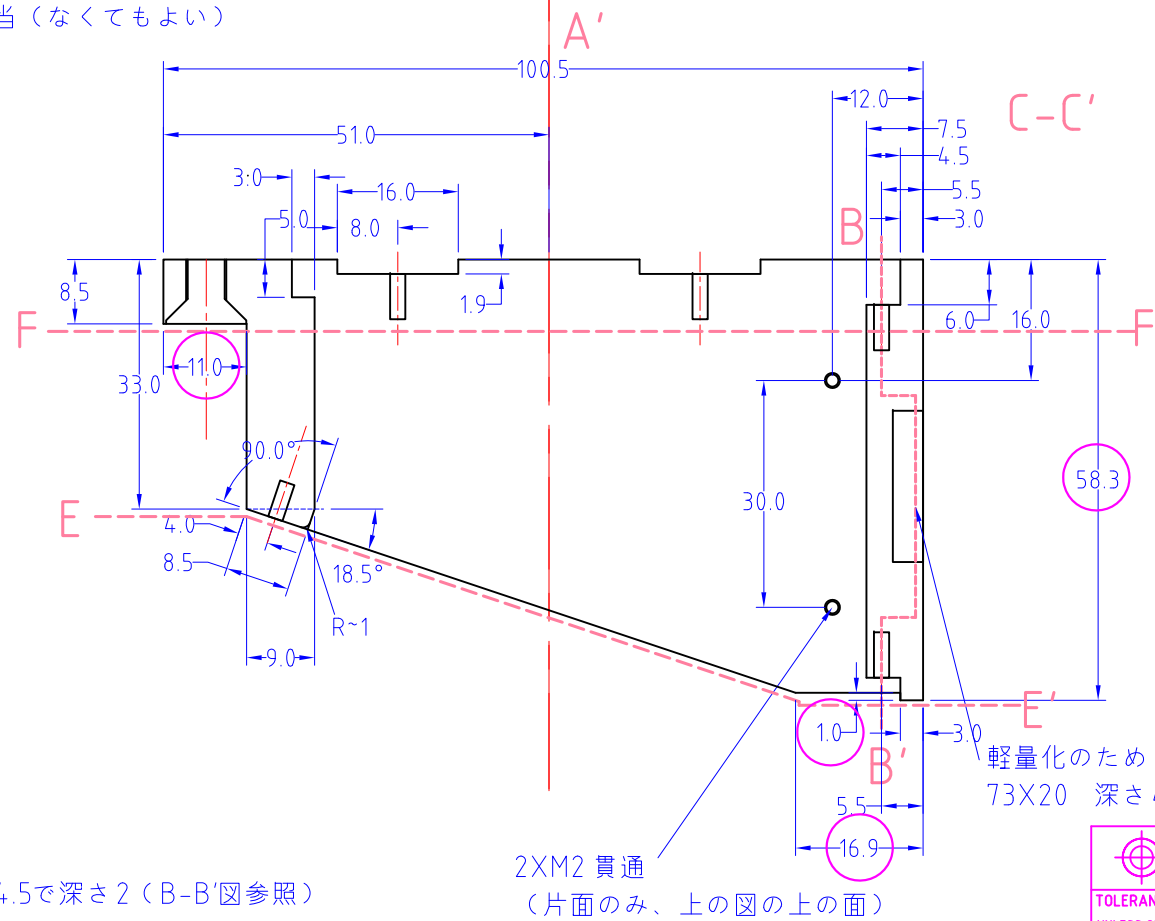
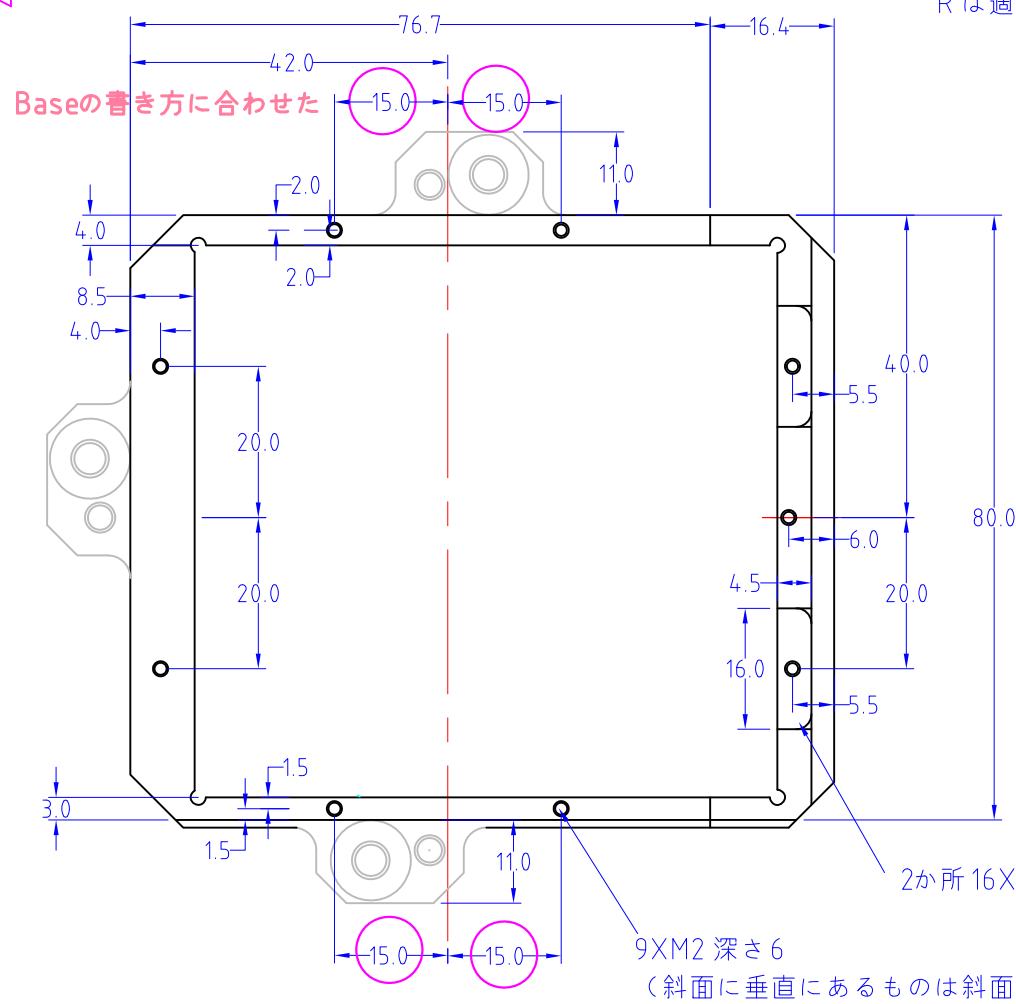
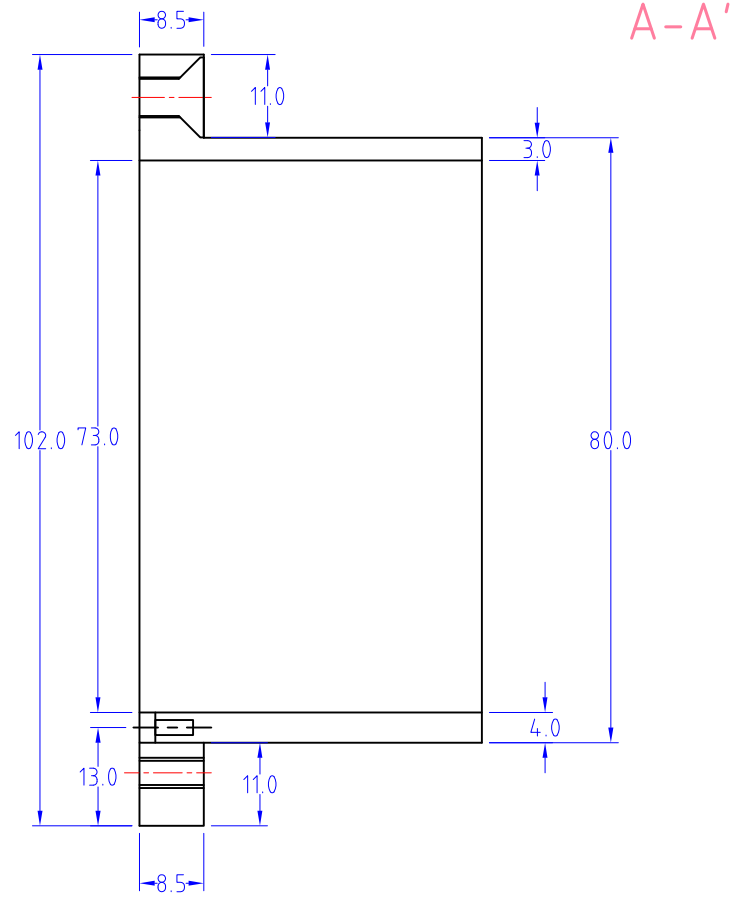
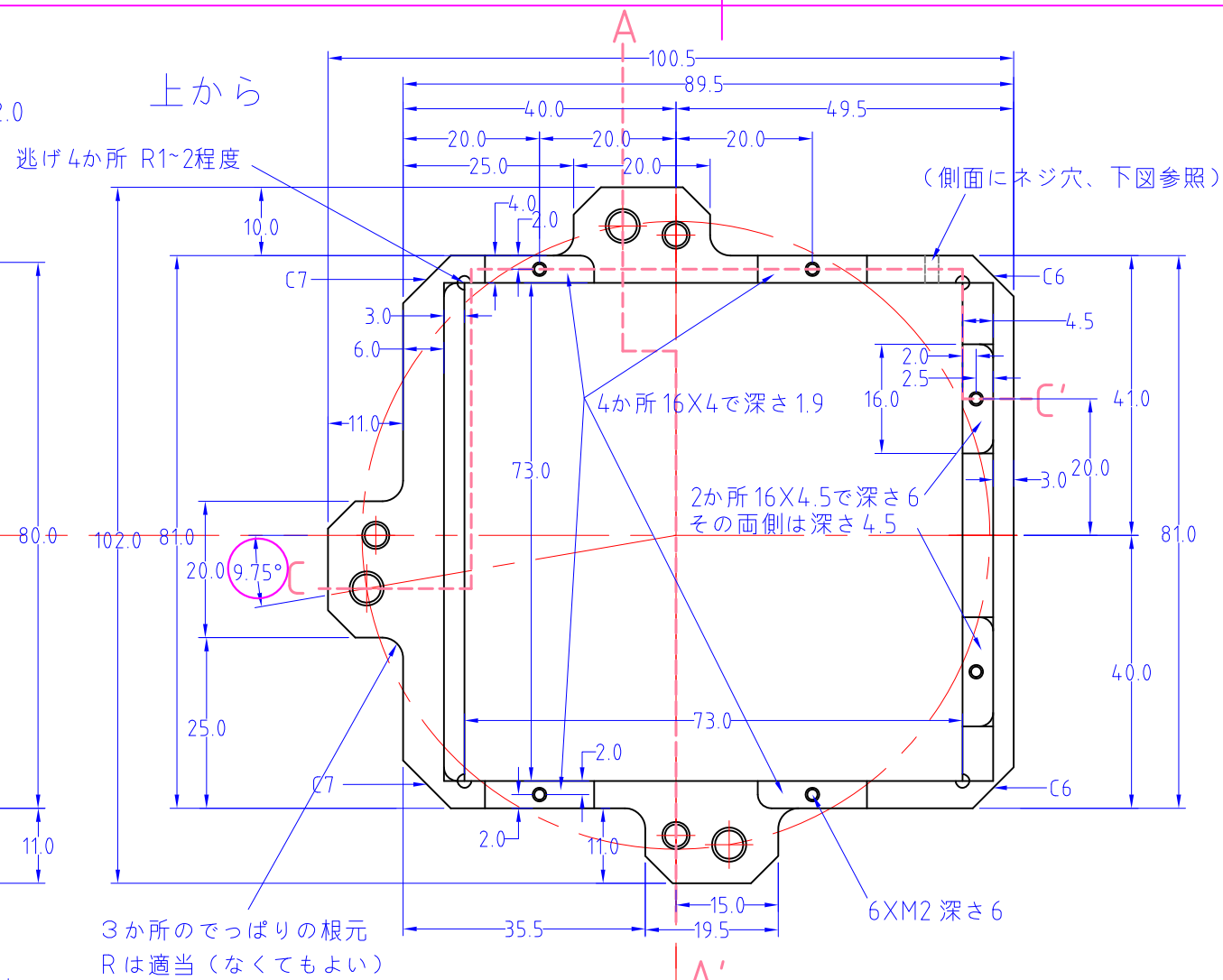
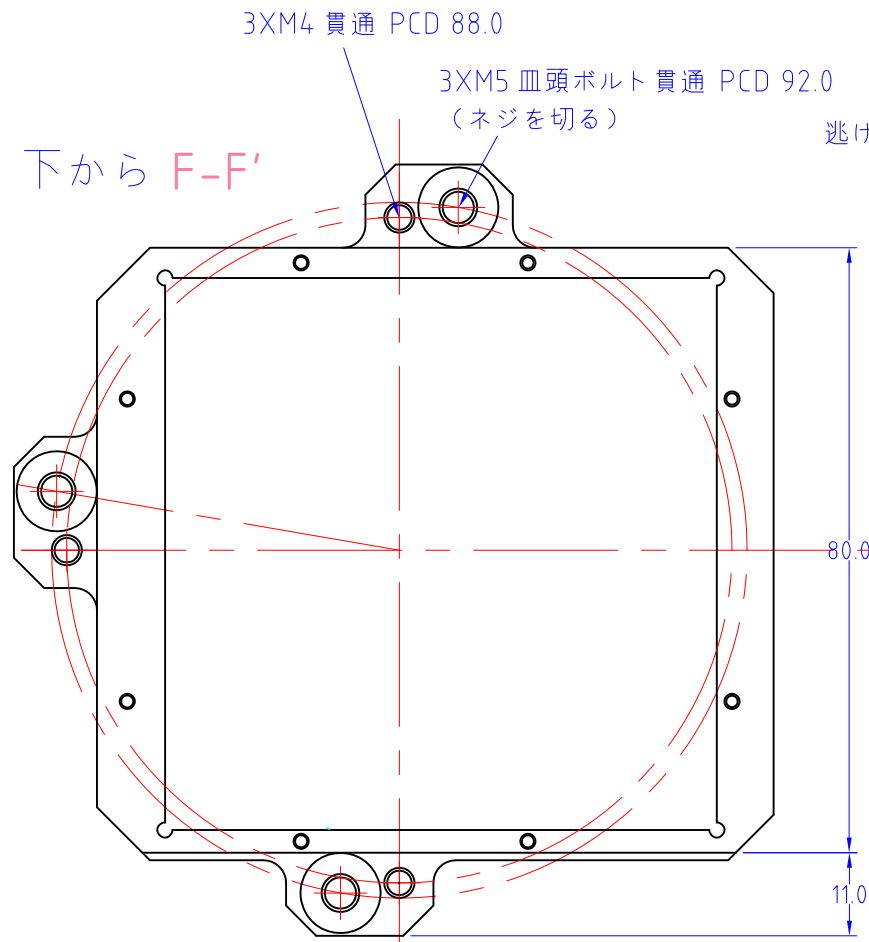
B-B'

ver.20090312  
では上下逆でした



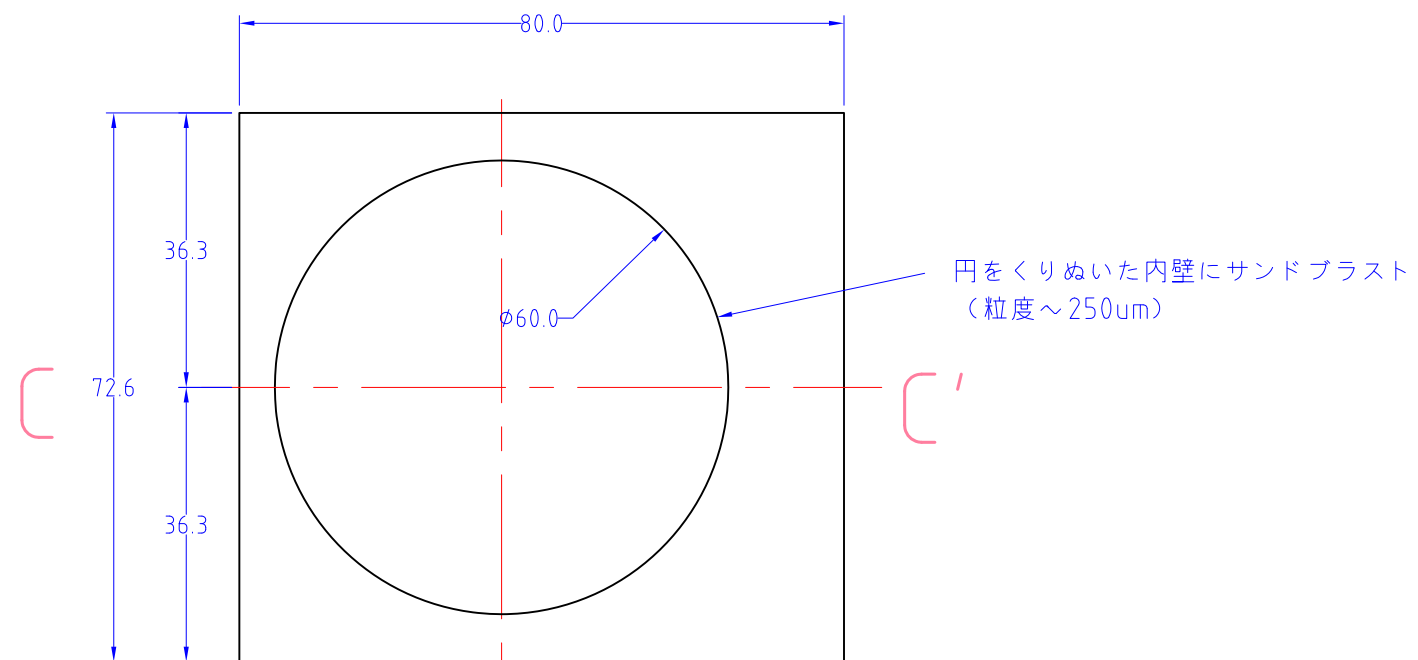
- ※ 光学部品 (低温で使用)
- ※ 表面精度 Ra=1.6

	TITLE	VPHK HOLDER -- Base		ORGANIZATION	ASTRONOMICAL INSTITUTE, TOHOKU UNIVERSITY	
	MATERIAL	Aluminun 6061-T651		DESIGN	CHIIHIRO TOKOKU	
	DIMENSIONS	mm		REVISED DATE	3/17/2009	
	QUANTITY	1		DRAWING SIZE	A3	SCALE 1:1
TOLERANCE UNLESS OTHERWISE NOTED		.X +/- .1 .XX +/- .01 ∠ +/- .5				

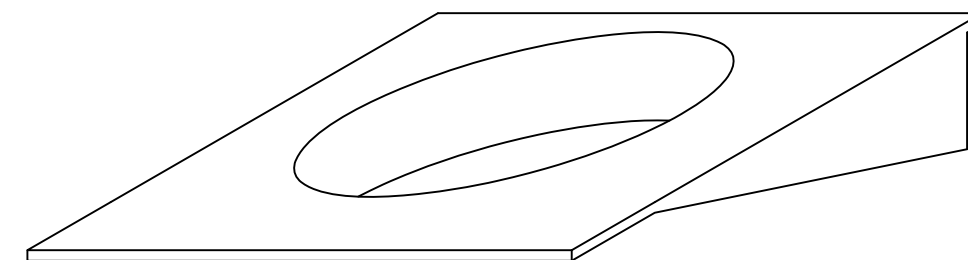
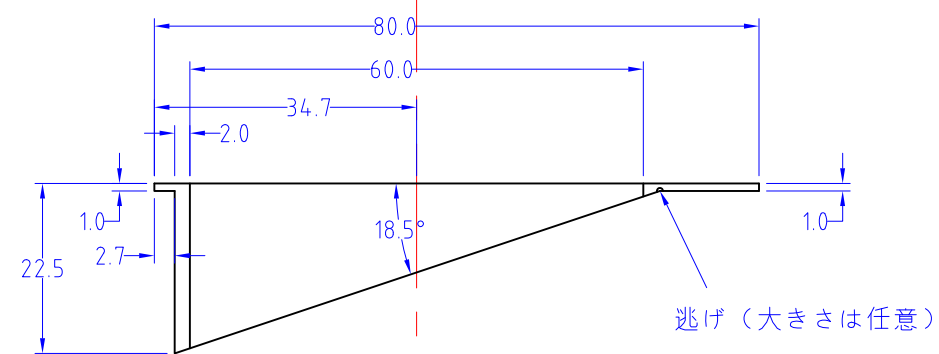


 TOLERANCE UNLESS OTHERWISE NOTED .X +/- .1 .XX +/- .01 ∠ +/- .5	TITLE	VPHK HOLDER -- Cover ①	ORGANIZATION	ASTRONOMICAL INSTITUTE, TOHOKU UNIVERSITY	
	MATERIAL	Aluminun 6061-T651	DESIGN	CHIHIRO TOKOKU	
	DIMENSIONS	mm	REVISED DATE	3/17/2009	
	QUANTITY	1	DRAWING SIZE	A3	SCALE

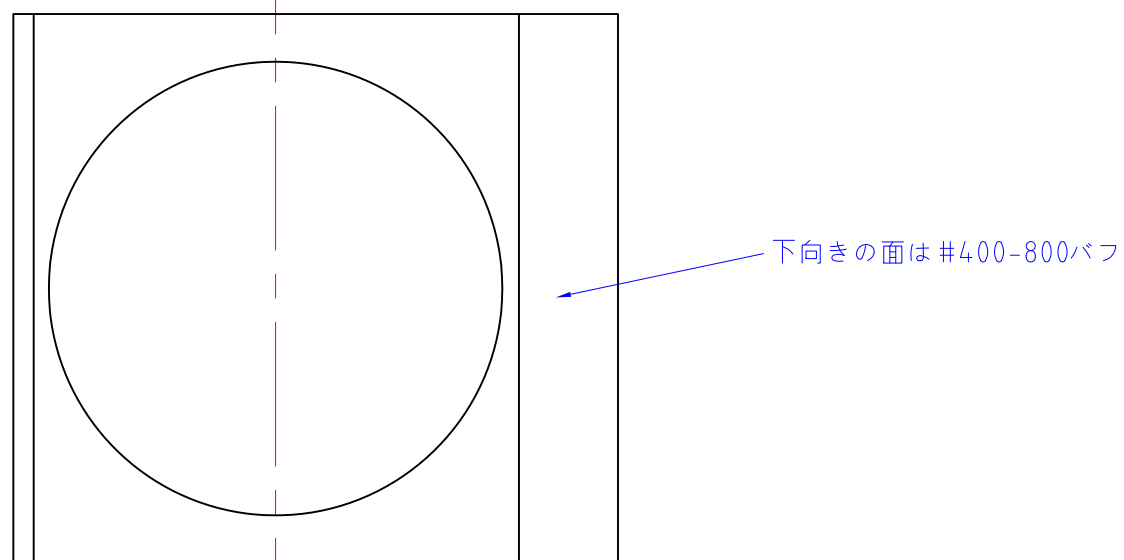
上から



[ - ]'



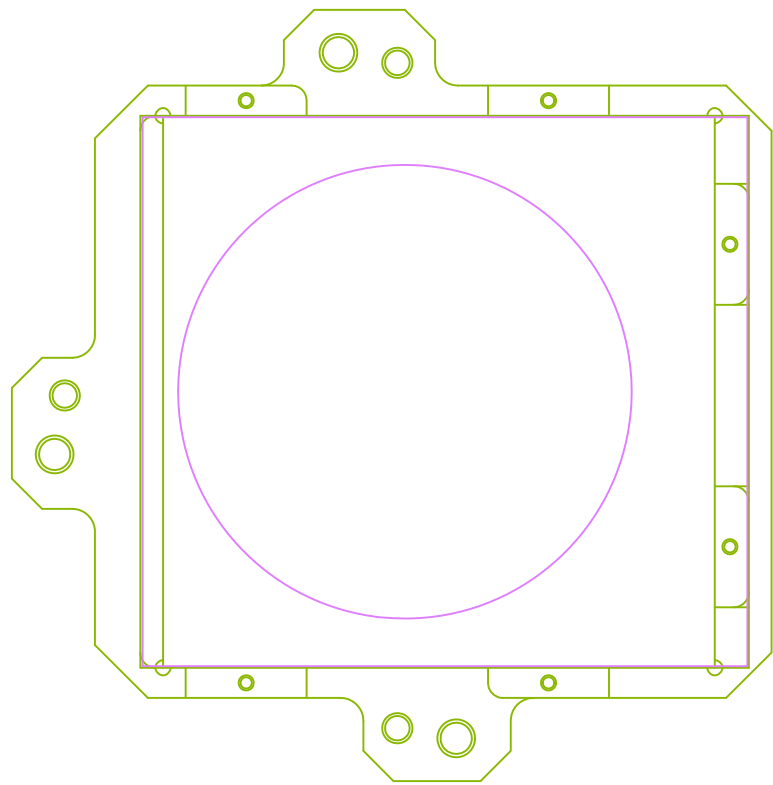
下から



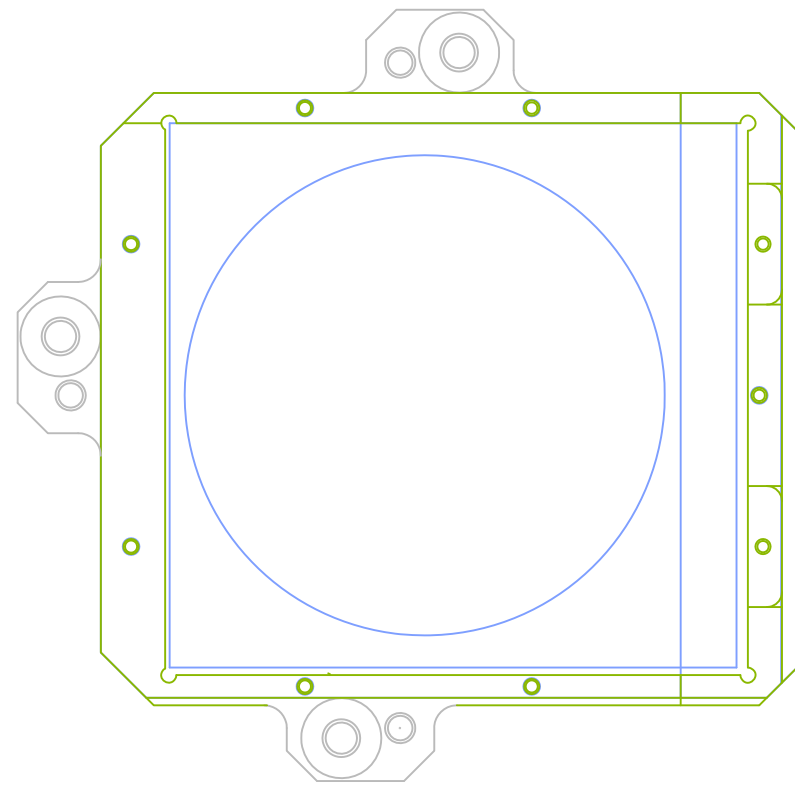
	TITLE	VPH HOLDER -- Spacer		ORGANIZATION	ASTRONOMICAL INSTITUTE, TOHOKU UNIVERSITY		
	TOLERANCE UNLESS OTHERWISE NOTED	MATERIAL	Aluminun 6061-T651		DESIGN	CHIIHIRO TOKOKU	
	.X +/- .1 .XX +/- .01 ∠ +/- .5	DIMENSIONS	mm		REVISED DATE	3/13/2009	
		QUANTITY	1		DRAWING SIZE	A3	SCALE 1:1



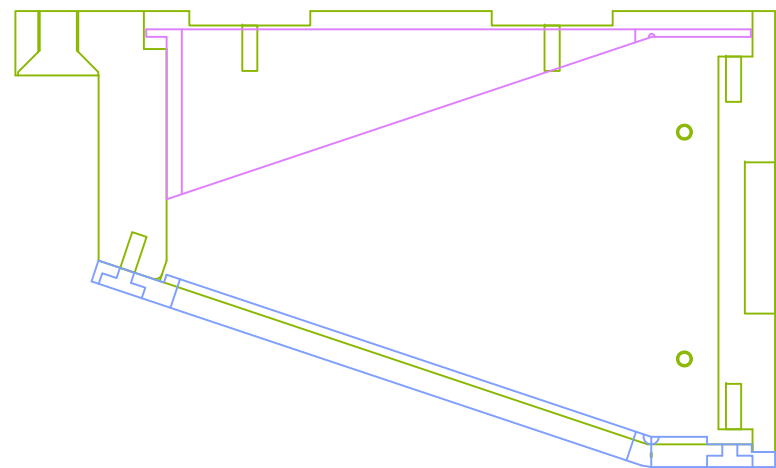
上から



下から



横から



	TITLE	VPHK HOLDER -- Kumiage		ORGANIZATION	ASTRONOMICAL INSTITUTE, TOHOKU UNIVERSITY	
	MATERIAL	Aluminun		DESIGN	CHIHIRO TOKOKU	
	DIMENSIONS	mm		REVISED DATE	3/17/2009	
	QUANTITY			DRAWING SIZE	A3	SCALE
TOLERANCE UNLESS OTHERWISE NOTED .X +/- .1 .XX +/- .01 ∠ +/- .5						

