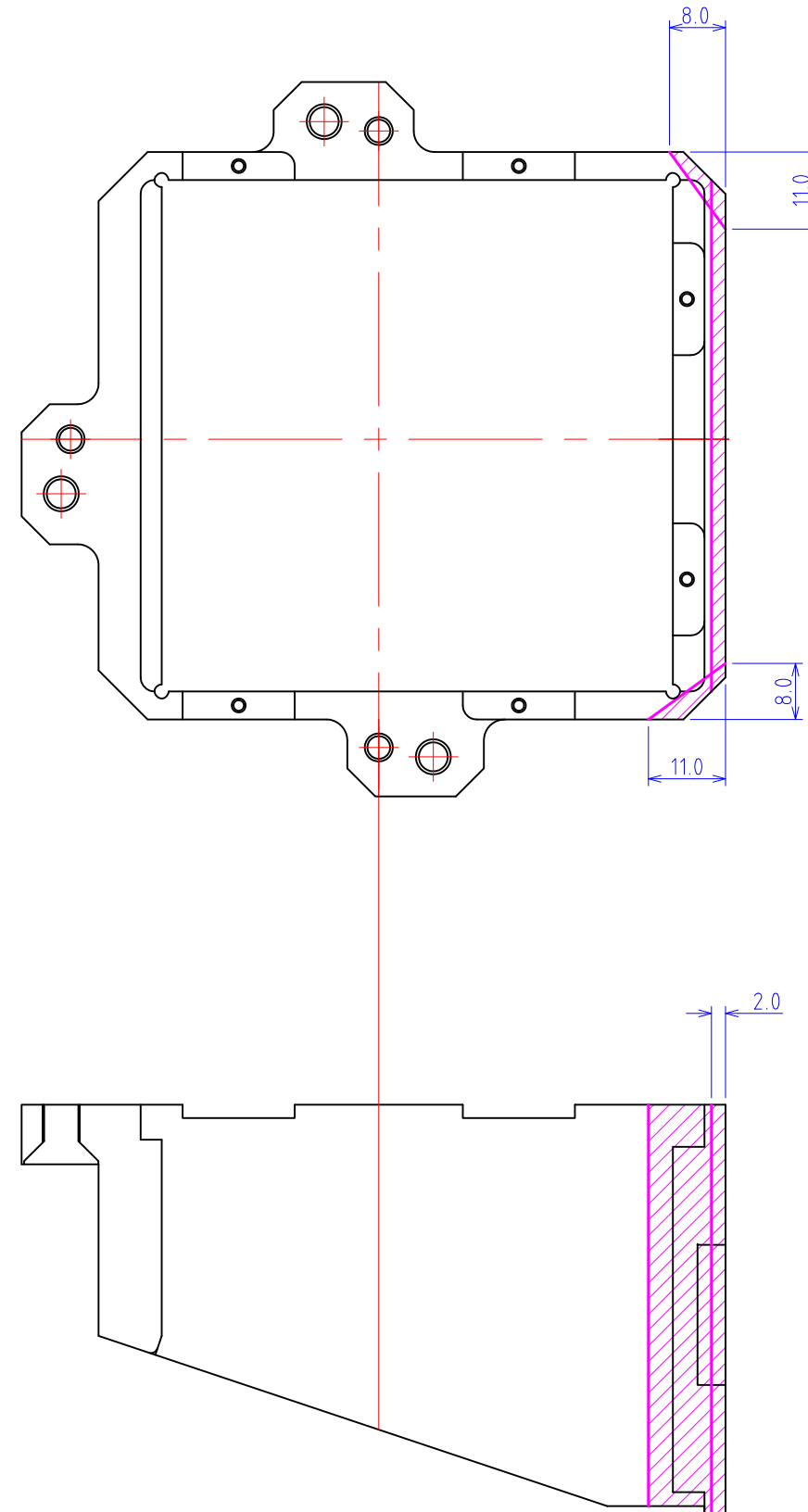


修正加工

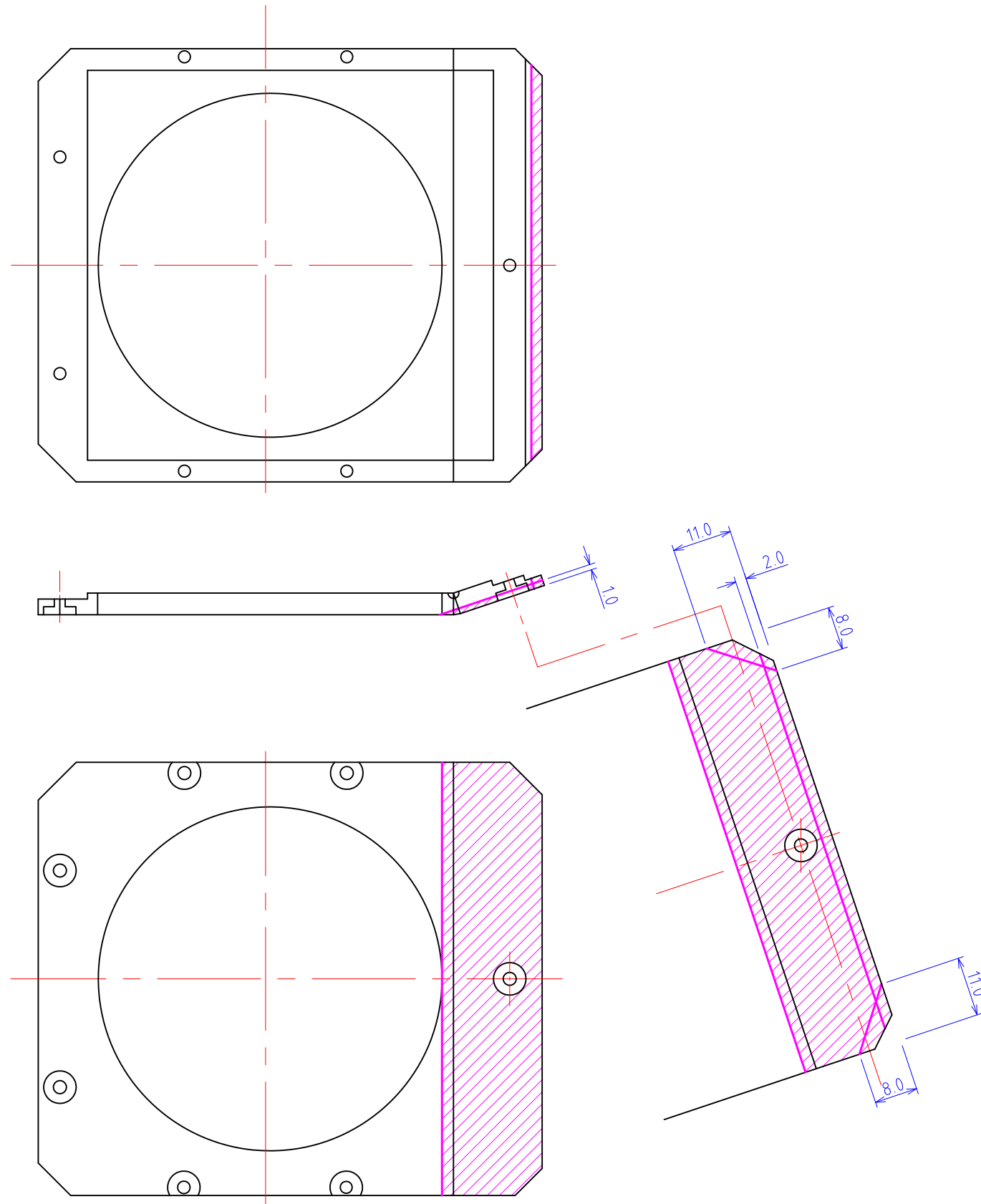
斜線部分を削り取る



	TITLE	VPHK HOLDER -- Cover MODIFY	ORGANIZATION	ASTRONOMICAL INSTITUTE, TOHOKU UNIVERSITY		
	MATERIAL	Aluminun 6061-T651	DESIGN	CHIHIRO TOKOKU		
TOLERANCE UNLESS OTHERWISE NOTED .X +/- .1 .XX +/- .01 ∠ +/- .5	DIMENSIONS	mm	REVISED DATE	7/3/2009		
	QUANTITY	1	DRAWING SIZE	A3	SCALE	1:1

修正加工

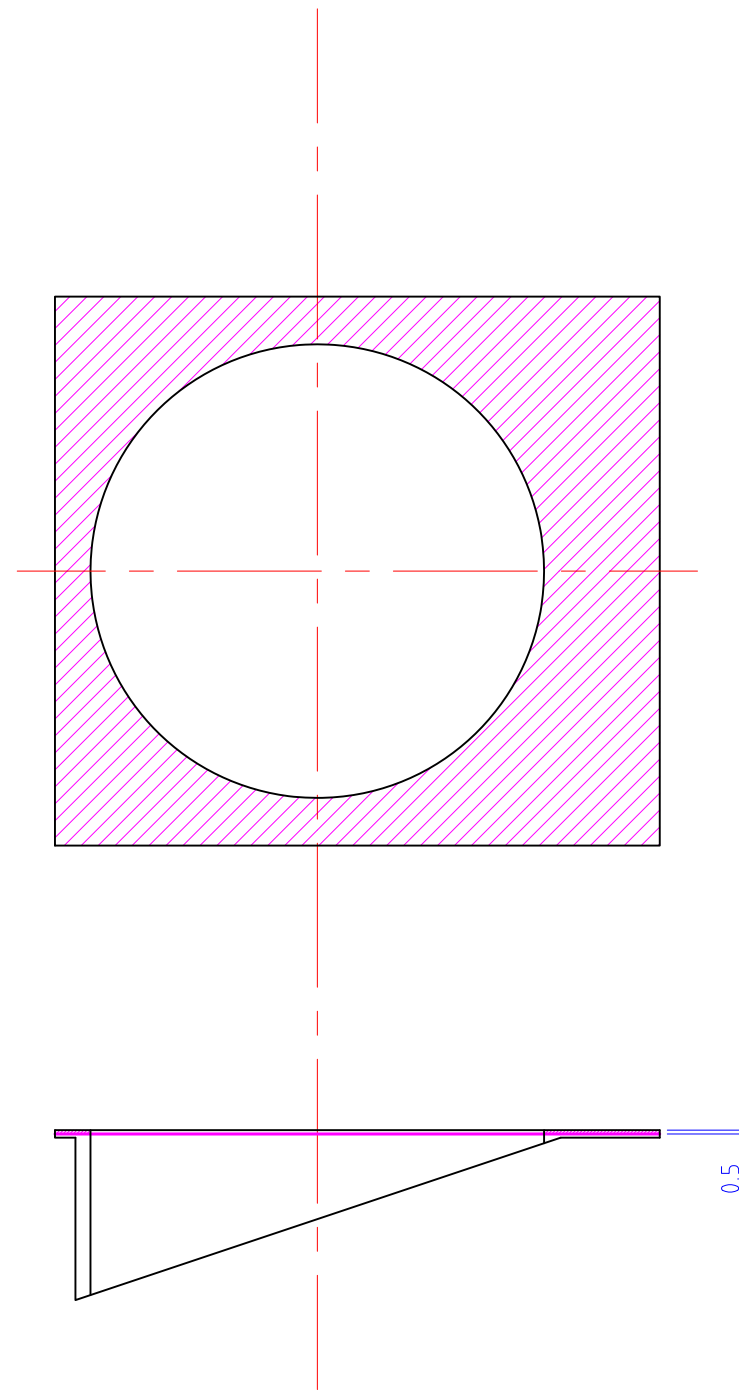
斜線部分を削り取る



	TITLE	VPHK HOLDER -- Base (MODIFY)	ORGANIZATION	ASTRONOMICAL INSTITUTE, TOHOKU UNIVERSITY	
	TOLERANCE UNLESS OTHERWISE NOTED	MATERIAL Aluminun 6061-T651	DESIGN	CHIHIRO TOKOKU	
.X +/- .1 .XX +/- .01 ∠ +/- .5	DIMENSIONS	mm	REVISED DATE	7/3/2009	
	QUANTITY	1	DRAWING SIZE	A3	SCALE 1:1

修正加工

斜線部分を削り取る



	TITLE	VPH HOLDER -- Spacer (MODIFY)	ORGANIZATION	ASTRONOMICAL INSTITUTE, TOHOKU UNIVERSITY	
	TOLERANCE UNLESS OTHERWISE NOTED	MATERIAL	DESIGN	CHIHIRO TOKOKU	
.X +/- .1 .XX +/- .01 ∠ +/- .5	Aluminun 6061-T651	DIMENSIONS	REVISED DATE	7/3/2009	
	mm	QUANTITY	DRAWING SIZE	A3	SCALE 1:1
		1			