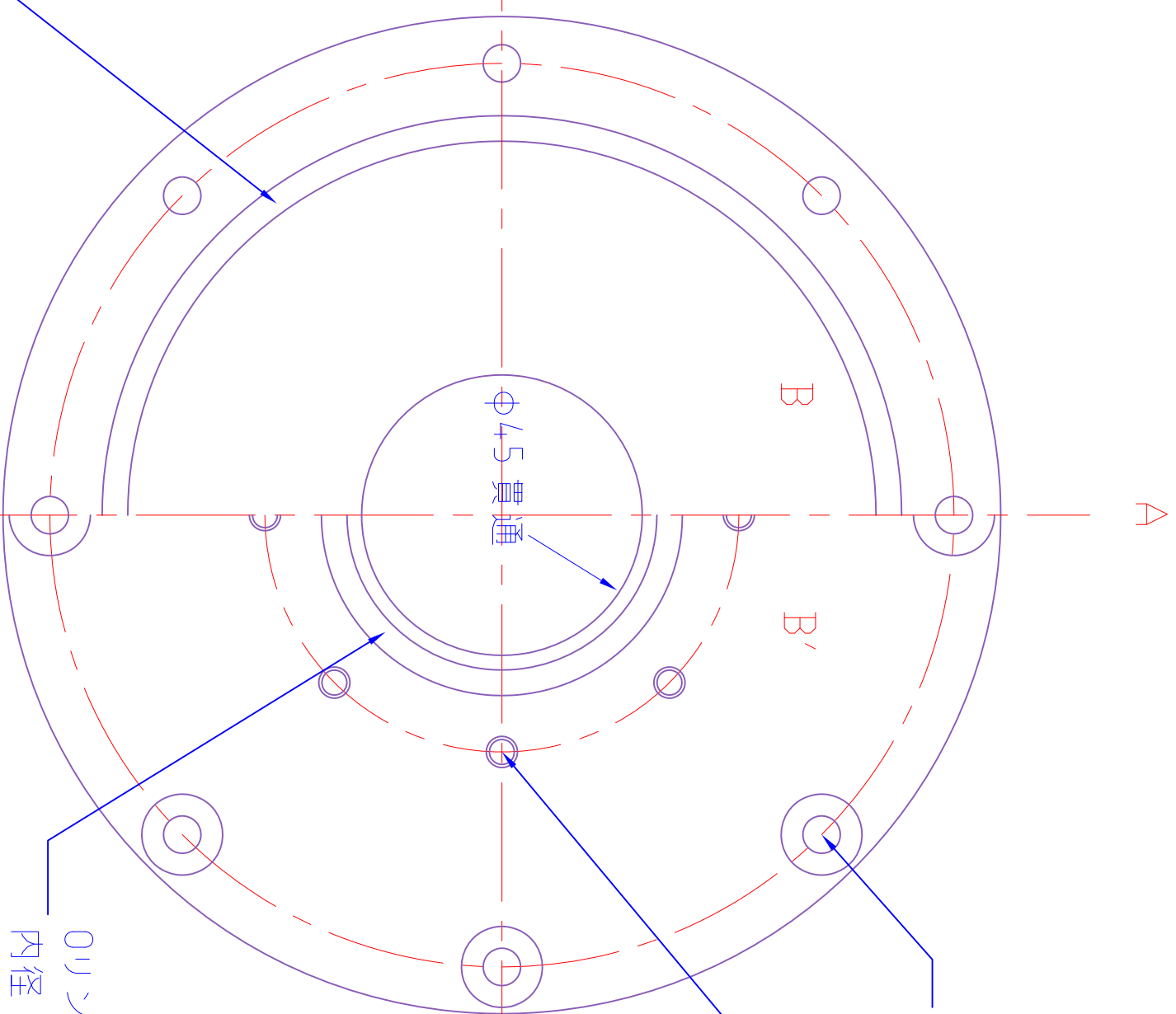
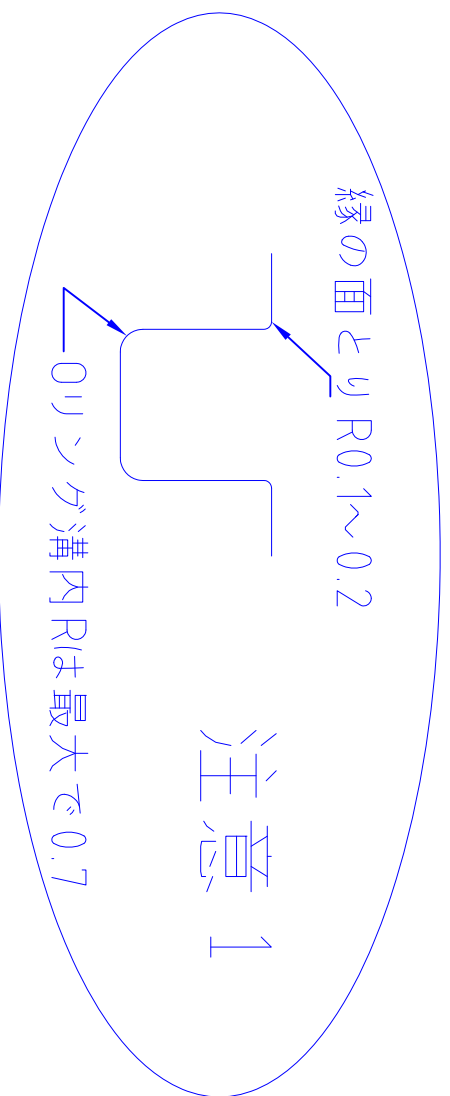
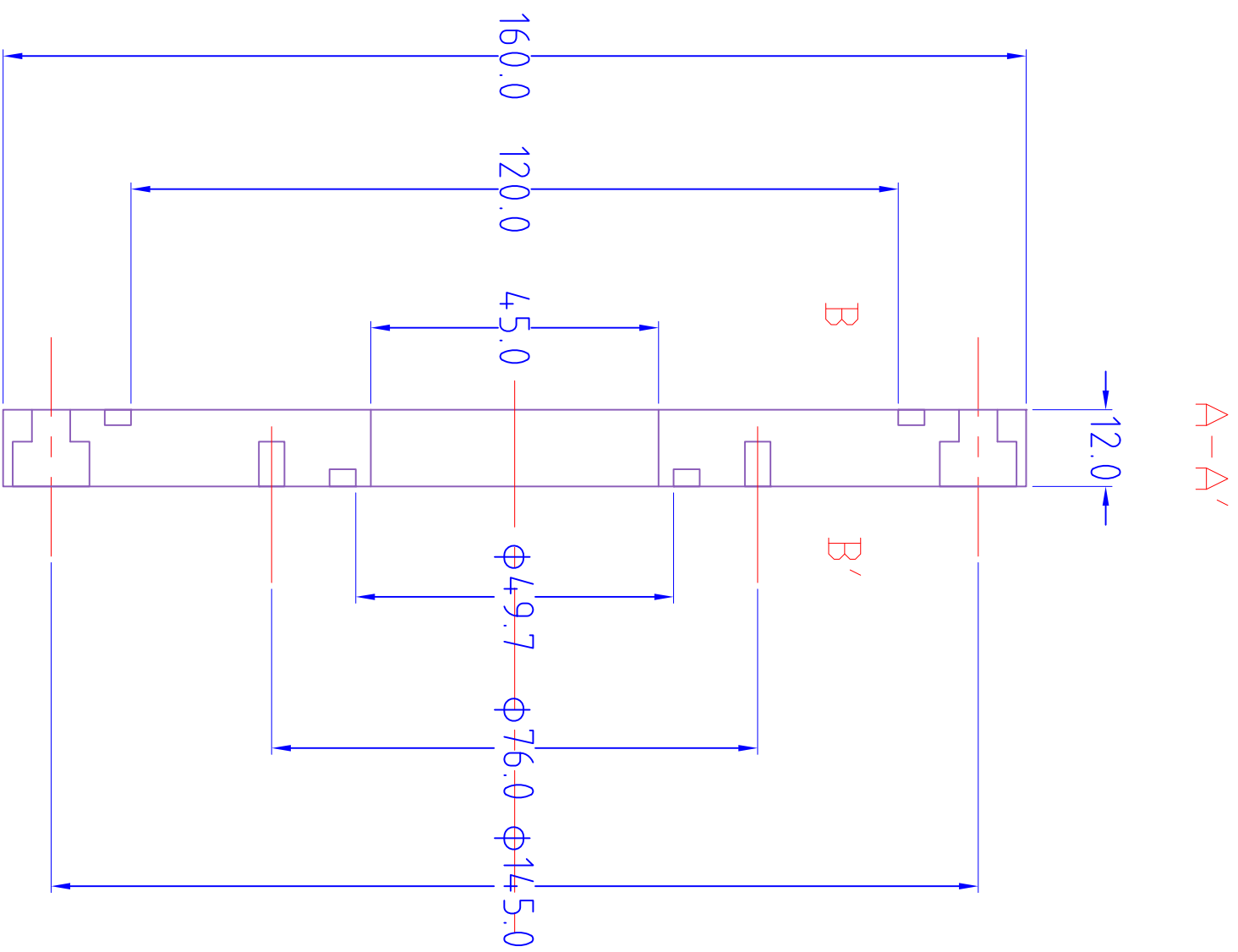


| | | | | | |
|---|--|------------------------------------|--|---|--|
|  | | TITLE OPTDEWAR BASE | | ORGANIZATION ASTRONOMICAL INSTITUTE, TOHOKU UNIVERSITY | |
| TOLERANCE UNLESS OTHERWISE NOTED X +/- .1 .XX +/- .01 Z +/- .5 | | MATERIAL Aluminum AL6061 | | DESIGN CHIHIRO TOKOKU | |
| DIMENSIONS mm | | REVISED DATE 12/3/2008 | | DRAWING SIZE A3 | |
| QUANTITY 1 | | SCALE 1 : 3 | | | |

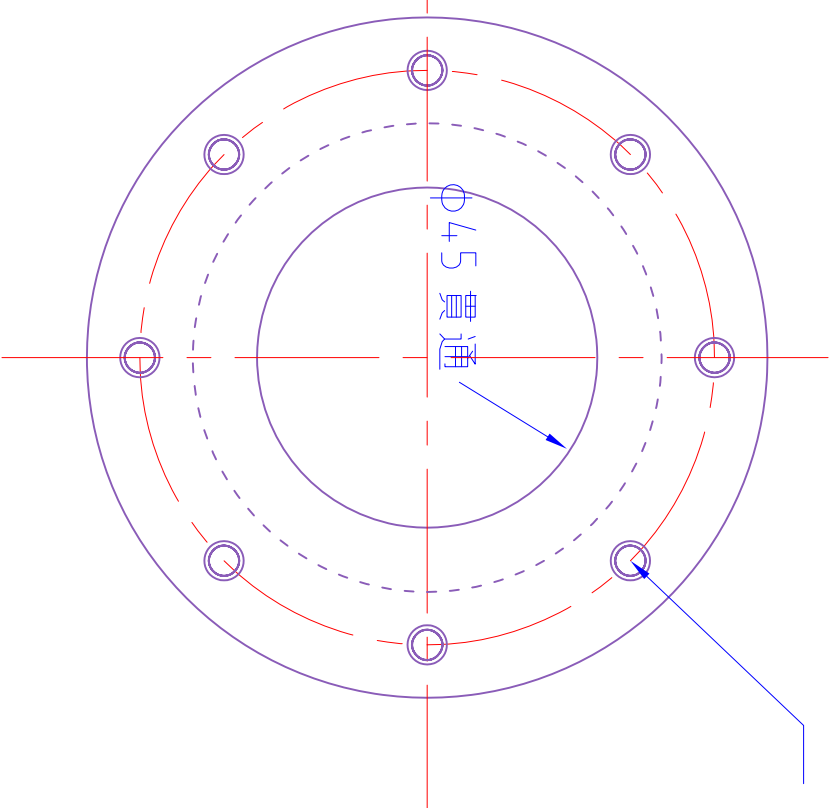
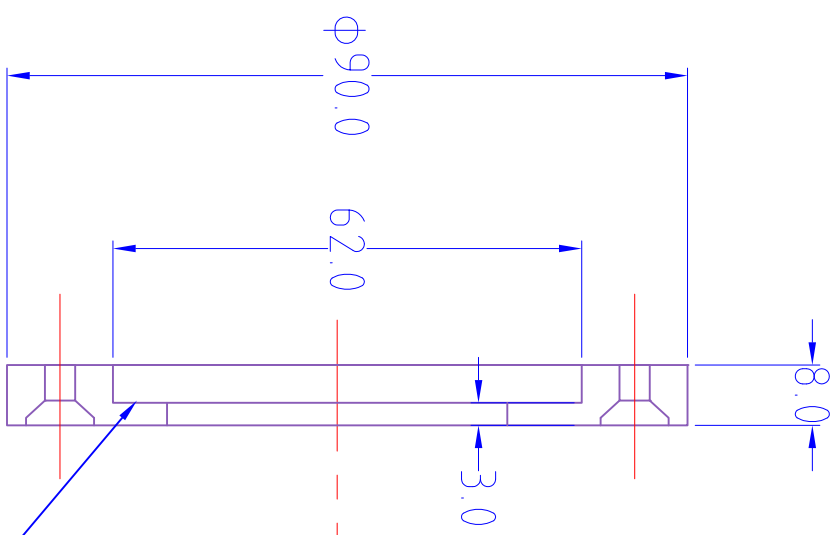


リング溝
 内径 120.0 0/-0.08
 幅 4.1+0.25/0
 深 2.4 ± 0.05
 溝内の表面粗さ $Ra=1.6$
 注意 1 参照

リング溝
 内径 50.0 0/-0.08
 幅 4.7+0.25/0
 深 2.7 ± 0.05
 溝内の表面粗さ $Ra=1.6$
 注意 1 参照

PCD 145
 8 X 6.5 キリ
 座ぐり深さ 7
 PCD 76
 8 X M6 X 深 8
 貫通しないよう注意

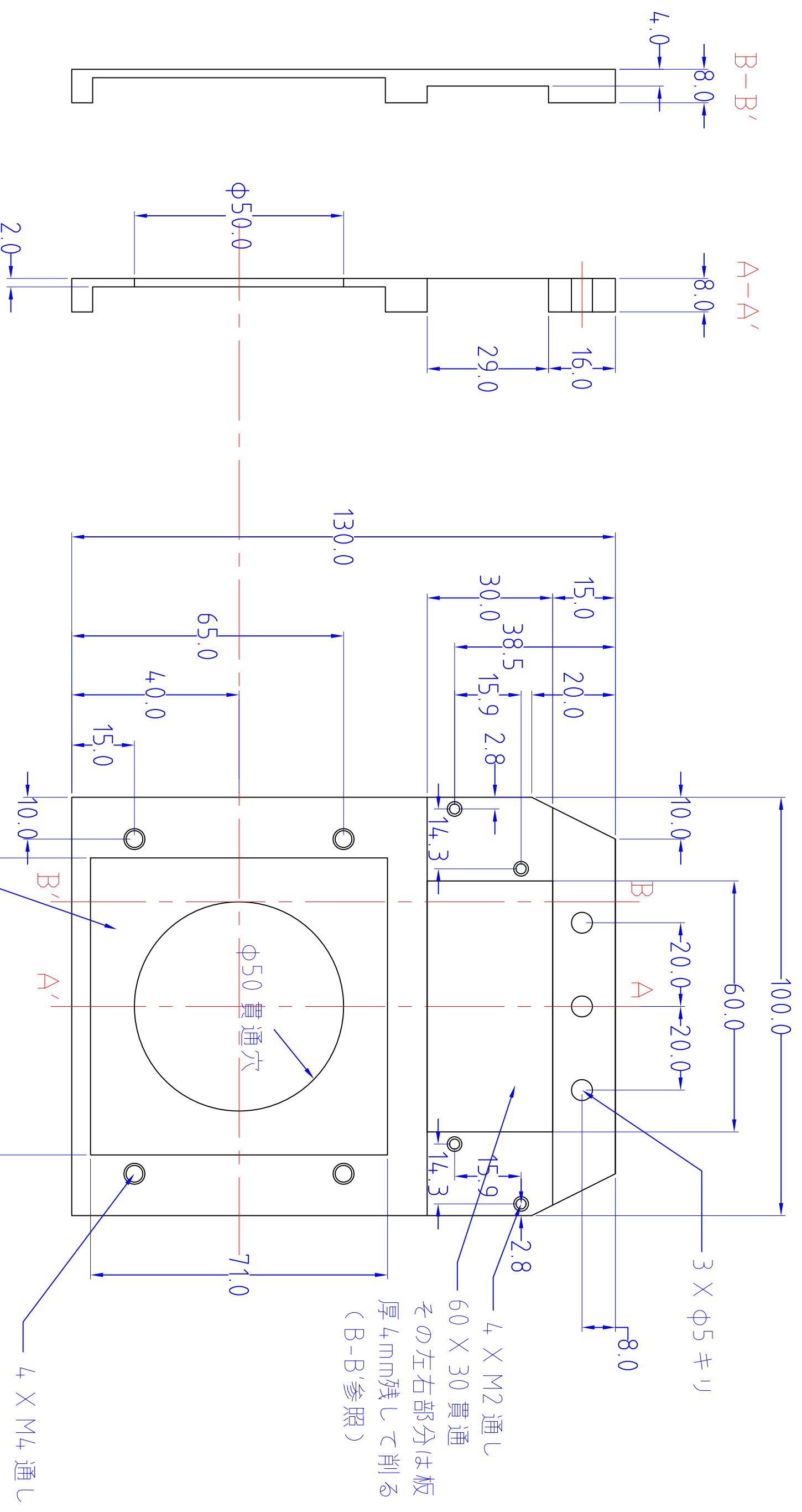
| | | |
|--|------------------------|--|
| <small>TOLERANCE UNLESS OTHERWISE NOTED</small> X +/- .1 .XX +/- .01 L +/- .5 | TITLE | ORGANIZATION |
| | OPTICULAR WINDOW MOUNT | ASTRONOMICAL INSTITUTE, TOHOKU UNIVERSITY |
| MATERIAL | DESIGN | DESIGNER |
| Aluminum | CHIHIRO TOKOKU | |
| DIMENSIONS | REVISED DATE | |
| mm | 12/3/2008 | |
| QUANTITY | DRAWING SIZE | SCALE |
| 2 | A3 | 1:1 |



裏面にφ62 深5 の溝
溝内は底面、側面ともに
表面精度 Ra=1.6

PCD 76
8 X 4.5 キリ
M4 皿頭ボルト用座グリ深4

| | | |
|--|-----------------------|--|
| TOLERANCE UNLESS OTHERWISE NOTED X +/- .1 .XX +/- .01 Z +/- .5 | TITLE | ORGANIZATION |
| | OPTDEWAR WINDOW COVER | ASTRONOMICAL INSTITUTE, TOHOKU UNIVERSITY |
| MATERIAL | DESIGN | |
| Aluminum | CHIHIRO TOKOKU | |
| DIMENSIONS | REVISED DATE | |
| mm | 12/3/2008 | |
| QUANTITY | DRAWING SIZE | SCALE |
| 2 | A3 | 1 : 1 |



71 X 71 深さ 6

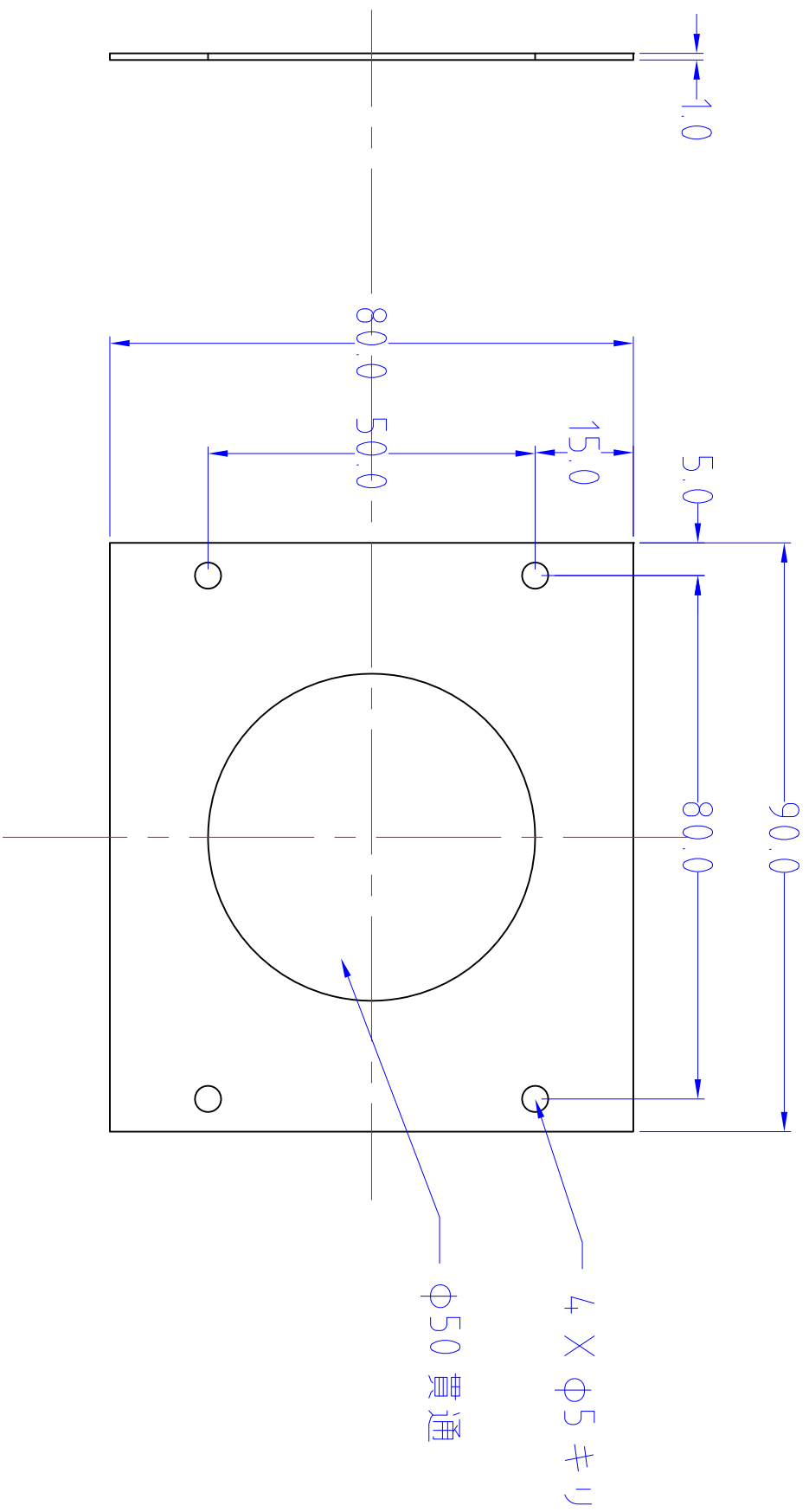
厚 4mm 残して削る
(B-B' 参照)

4 X M2 通し
60 X 30 貫通

3 X $\phi 5$ キリ

※ 表面精度 (板の表面、裏面、溝の底面、溝の側面とも) R=1.6

| | | | | | |
|--|--|-------------------------------------|--|--|--|
| TOLERANCE UNLESS OTHERWISE NOTED X +/- .1 .XX +/- .01 Z +/- .5 | | TITLE OPTDEWAR THERMAL MOUNT | | ORGANIZATION ASTRONOMICAL INSTITUTE, TOHOKU UNIVERSITY | |
| MATERIAL OFHC | | DESIGN CHIHIRO TOKOKU | | REVISED DATE 12/3/2008 | |
| DIMENSIONS mm | | QUANTITY 1 | | DRAWING SIZE A3 | |



| | | | | | |
|---|--|--|--|--|--|
|  TOLERANCE UNLESS OTHERWISE NOTED X +/- .1 .XX +/- .01 L +/- .5 | |  TITLE OPTDEWAR THERMAL COVER | | ORGANIZATION ASTRONOMICAL INSTITUTE, TOHOKU UNIVERSITY | |
| MATERIAL OFHC | | DESIGN CHIHIRO TOKOKU | | REVISED DATE 12/3/2008 | |
| DIMENSIONS mm | | QUANTITY 1 | | DRAWING SIZE A3 | |

