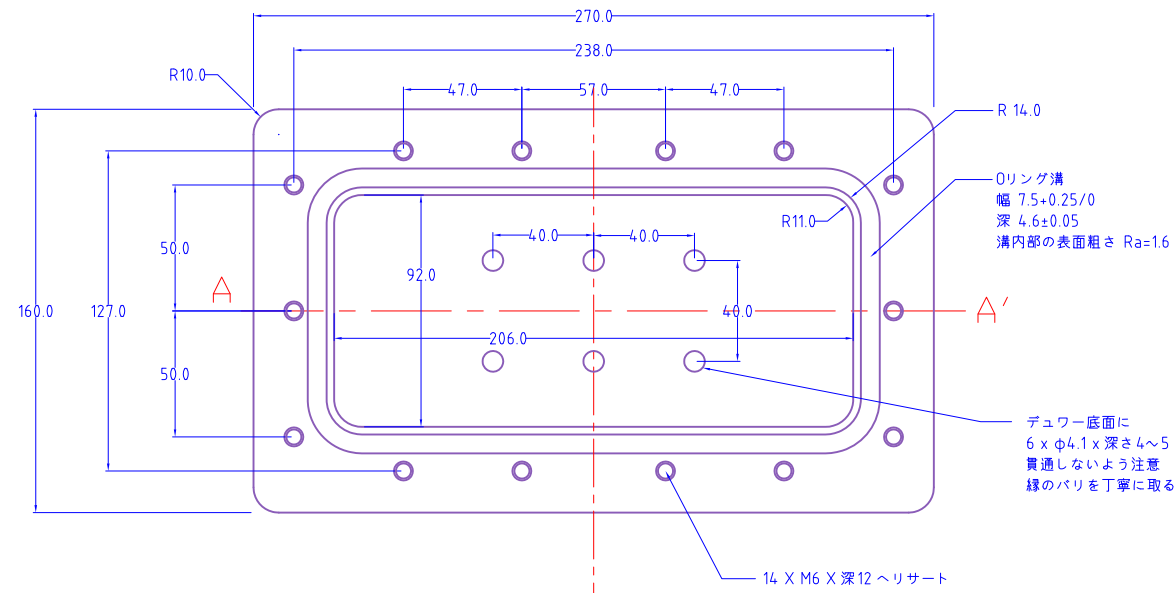
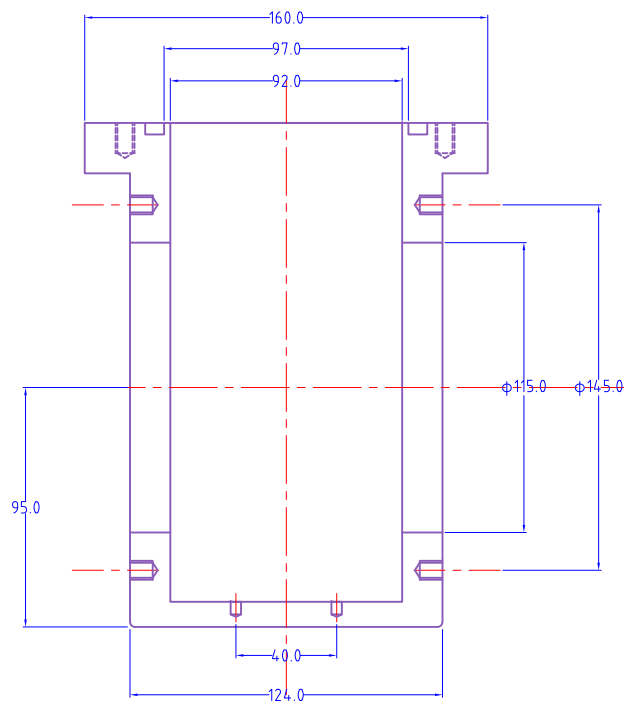


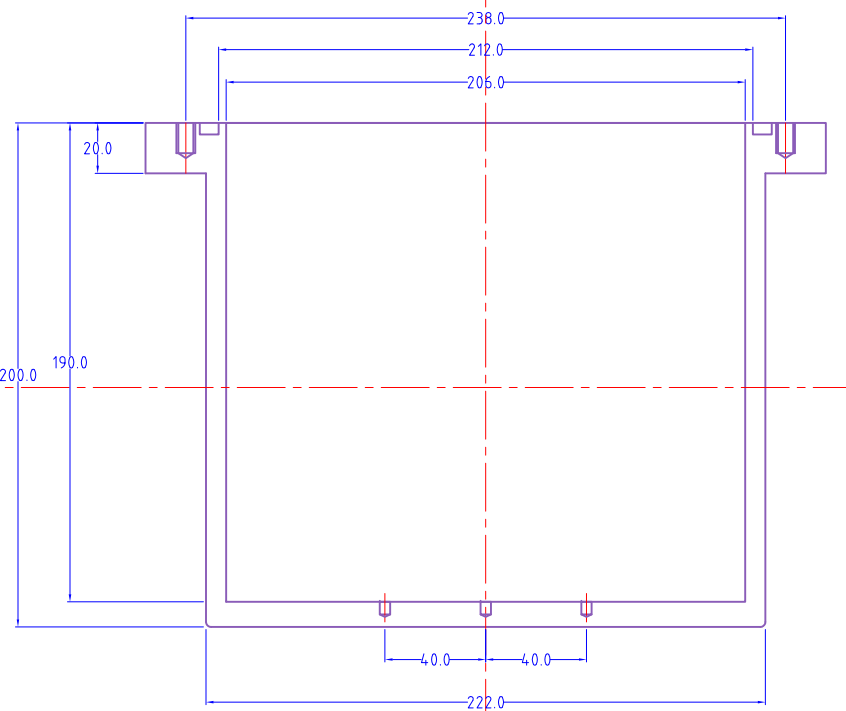
TOP VIEW



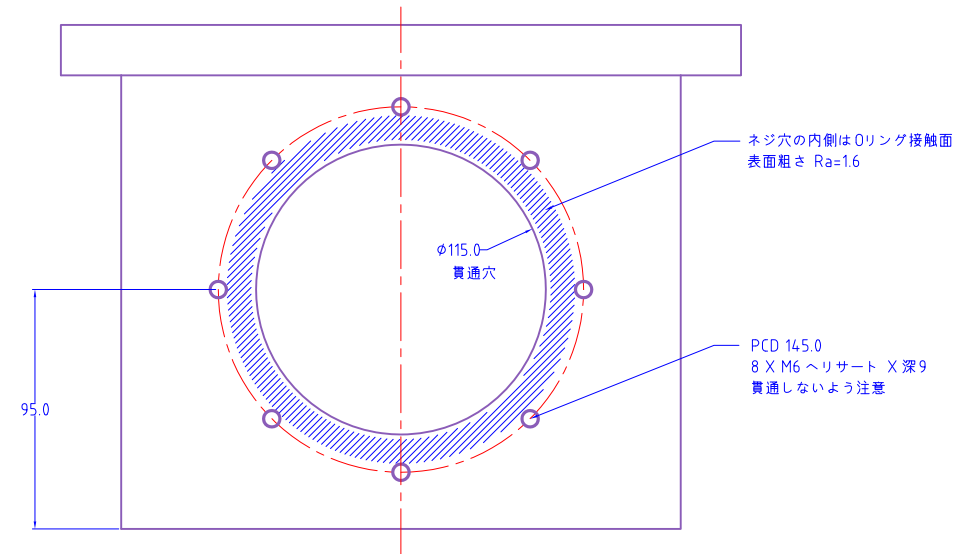
SIDE VIEW



FRONT VIEW A-A'



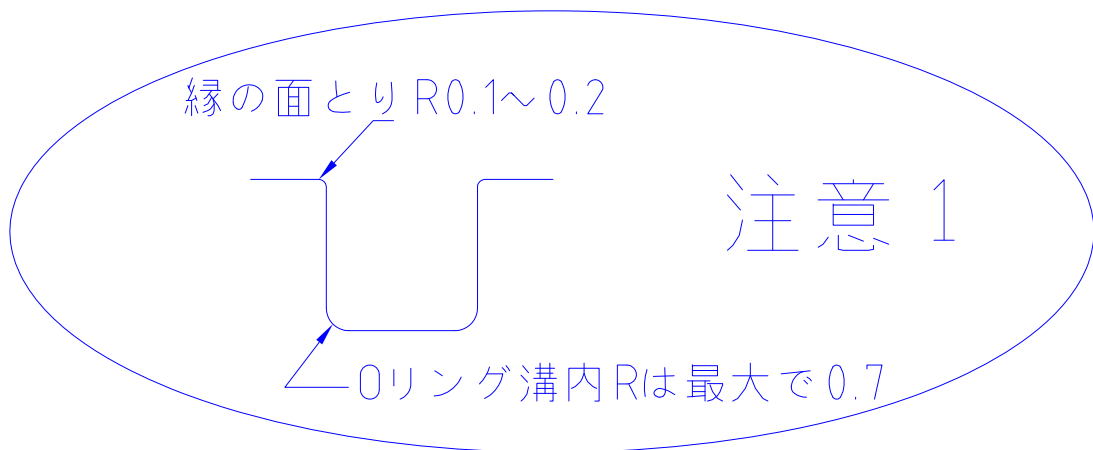
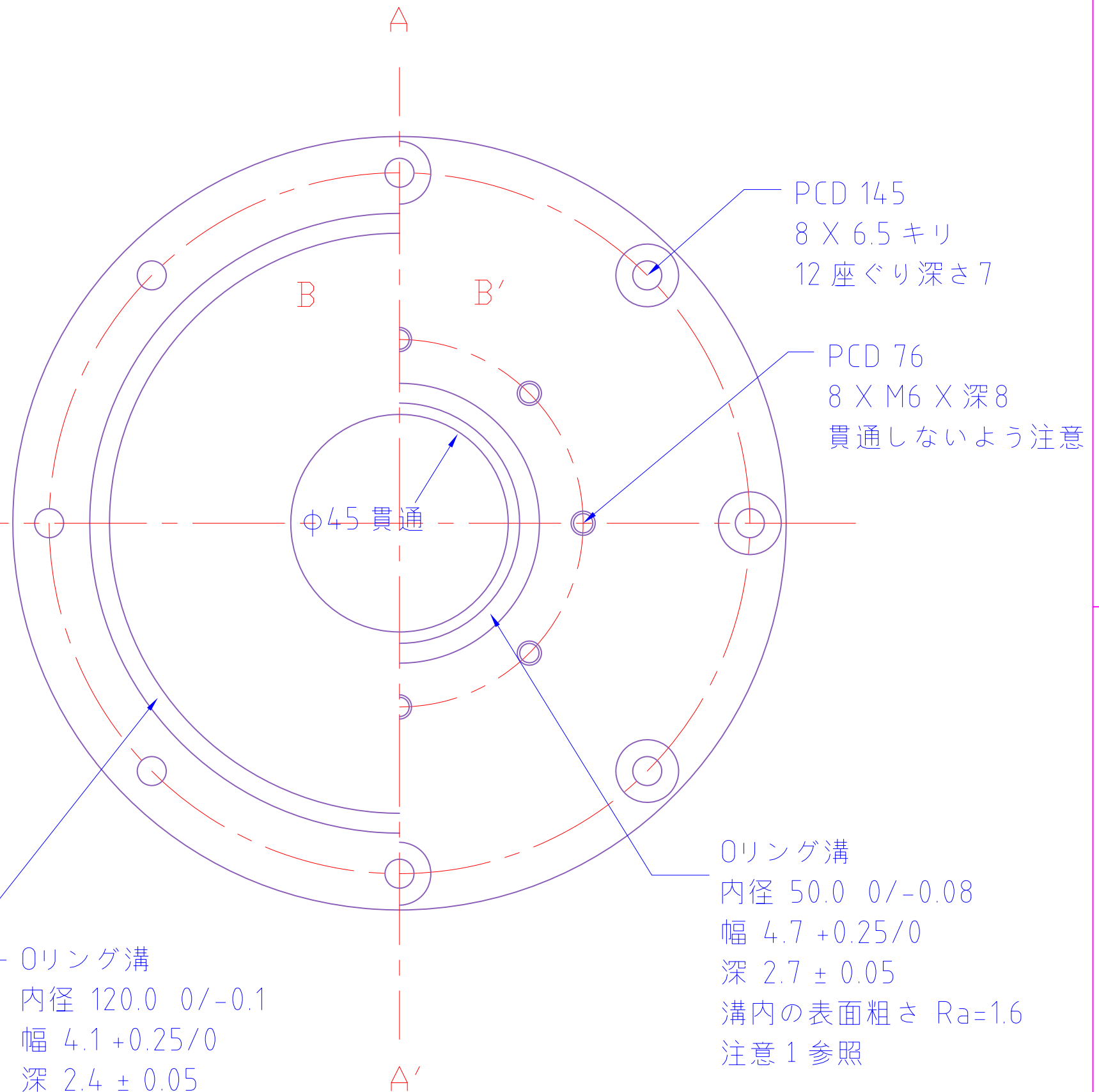
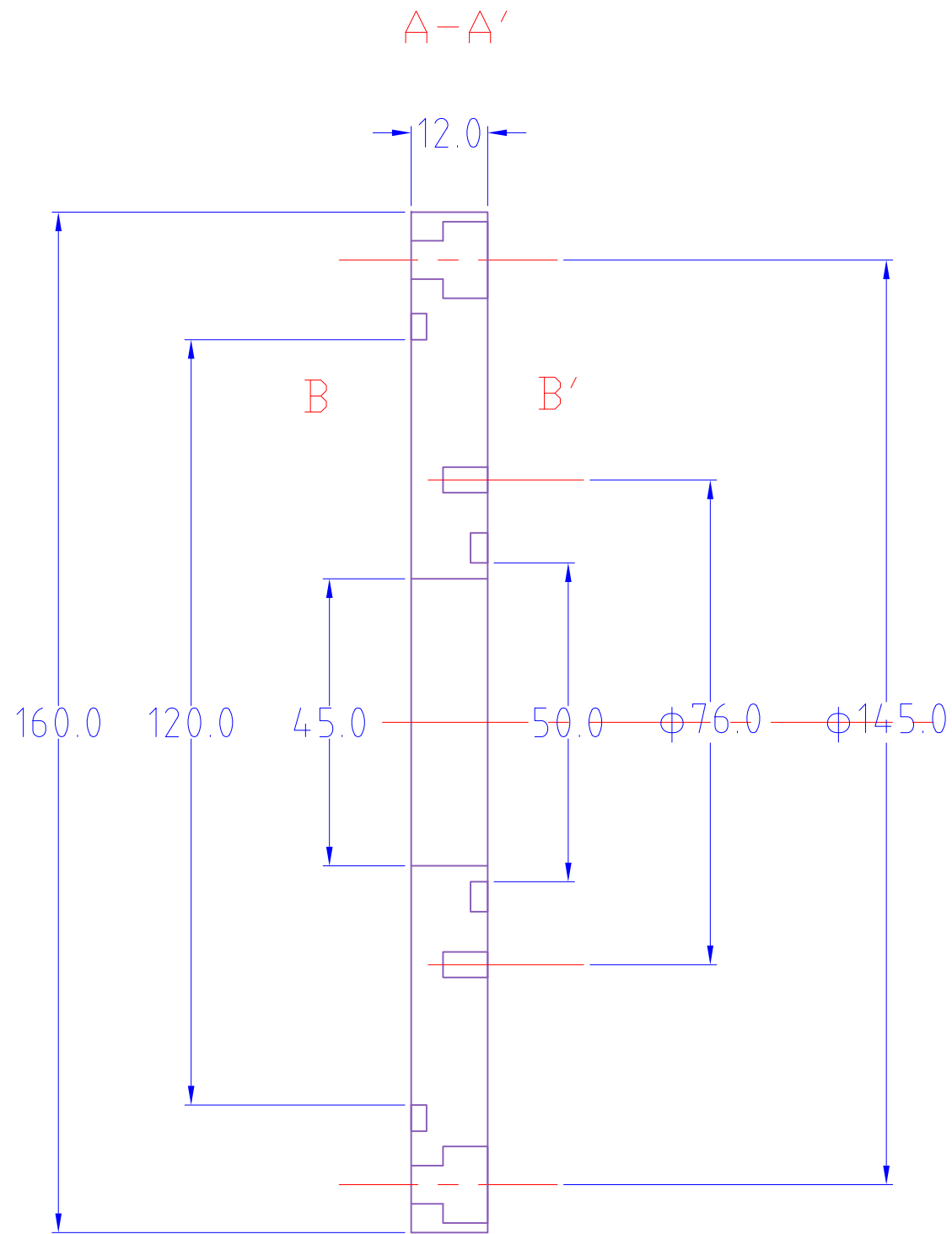
FRONT VIEW B-B'



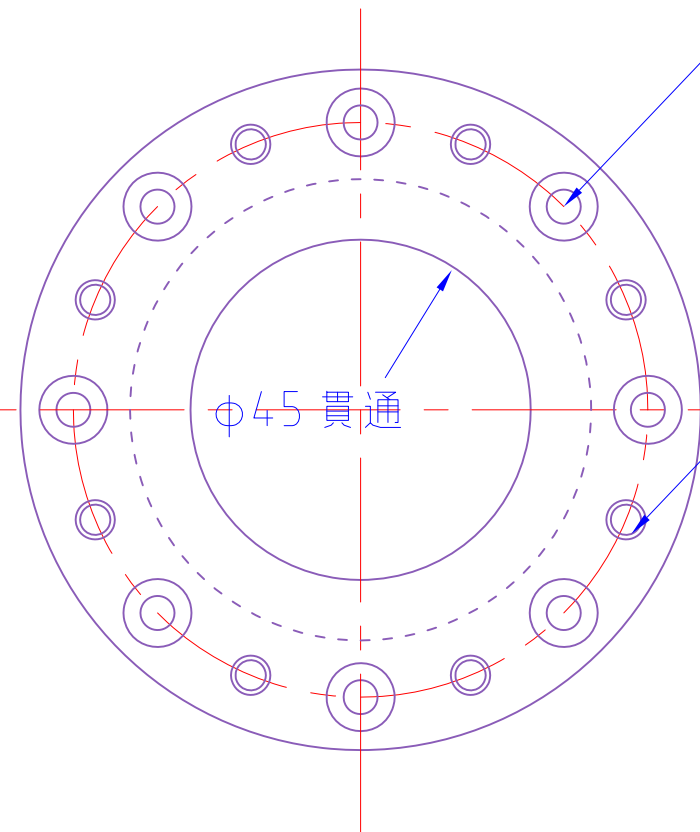
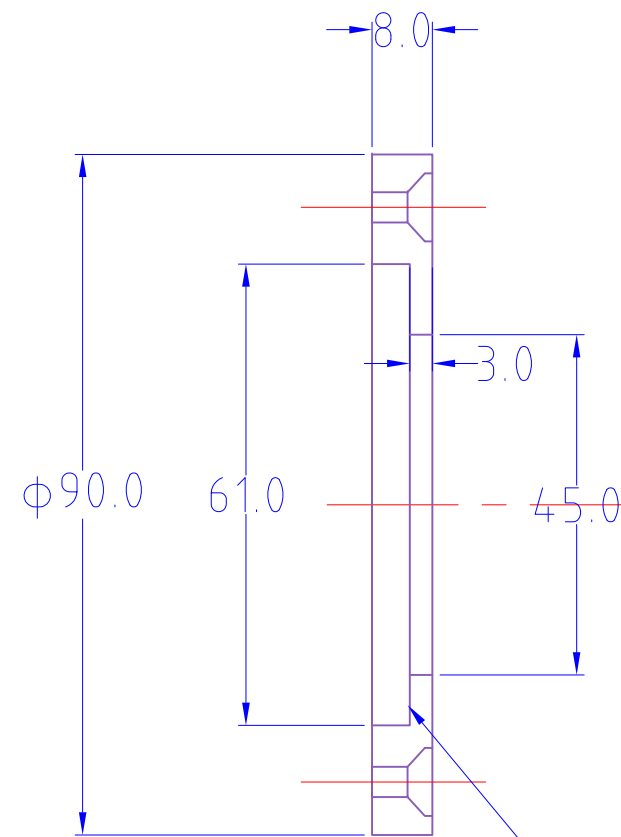
BOTTOM VIEW



<p>TOLERANCE UNLESS OTHERWISE NOTED .X +/- .1 .XX +/- .01 ∠ +/- .5</p>	TITLE	OPTDEWAR BASE		ORGANIZATION	ASTRONOMICAL INSTITUTE, TOHOKU UNIVERSITY	
	MATERIAL	Aluminun A5052		DESIGN	CHIIHIRO TOKOKU	
	DIMENSIONS	mm		REVISED DATE	12/24/2008	
	QUANTITY	1		DRAWING SIZE	A3	SCALE



 TOLERANCE UNLESS OTHERWISE NOTED .X +/- .1 .XX +/- .01 L +/- .5	TITLE	OPTDEWAR WINDOW MOUNT		ORGANIZATION	ASTRONOMICAL INSTITUTE, TOHOKU UNIVERSITY	
	MATERIAL	Aluminun		DESIGN	CHIHIRO TOKOKU	
	DIMENSIONS	mm		REVISED DATE	12/24/2008	
	QUANTITY	2		DRAWING SIZE	A3	SCALE

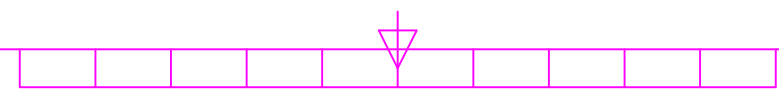


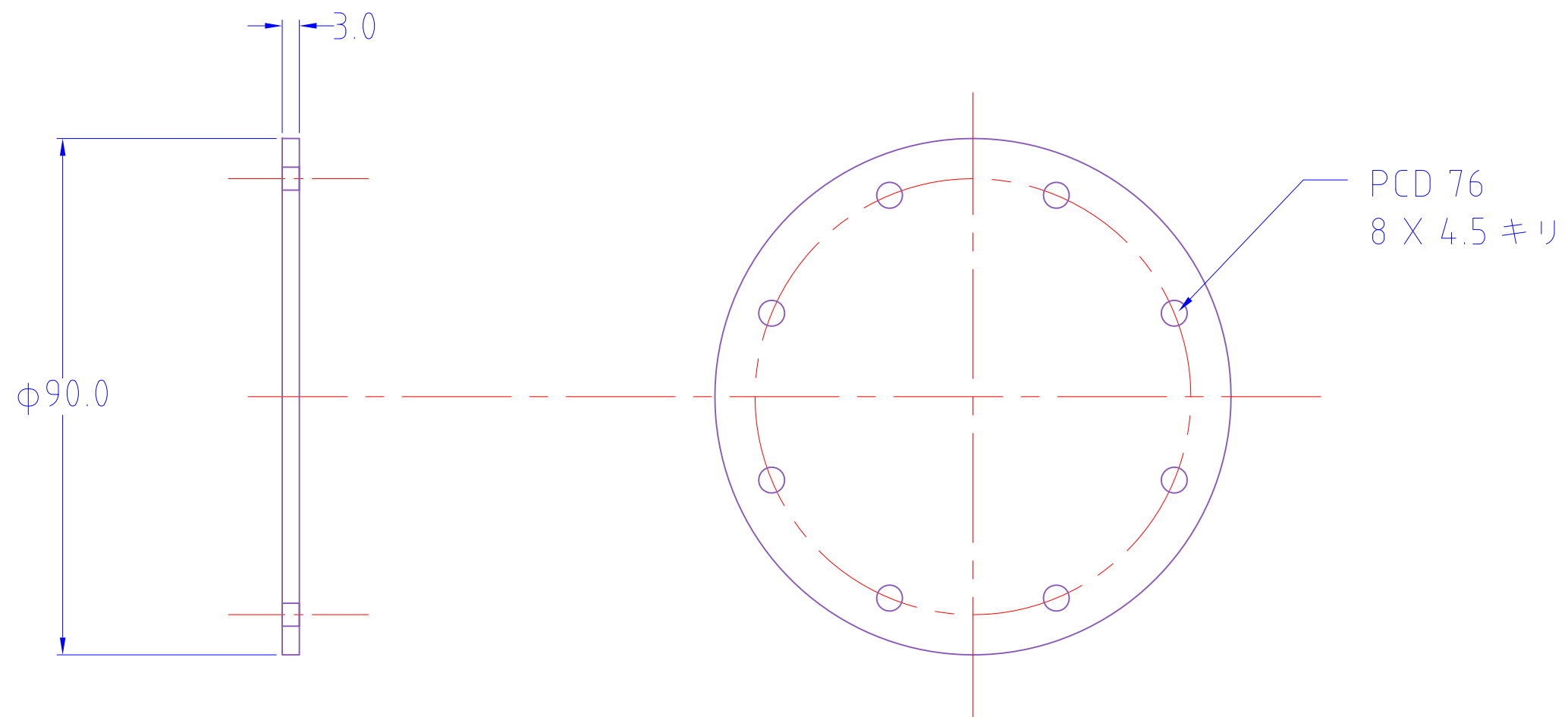
PCD 76
8 X 4.5 キリ
M4 皿頭ボルト用座グリ深3.5


PCD 76
8 X M4 通し

裏面にφ61深5の溝
溝内は底面、側面ともに
表面精度Ra=1.6
縁はバリをきれいに取る

	TITLE	OPTDEWAR WINDOW COVER		ORGANIZATION	ASTRONOMICAL INSTITUTE, TOHOKU UNIVERSITY	
	MATERIAL	Aluminun		DESIGN	CHIHIRO TOKOKU	
	DIMENSIONS	mm		REVISED DATE	12/24/2008	
	QUANTITY	2		DRAWING SIZE	A3	SCALE 1:1
TOLERANCE UNLESS OTHERWISE NOTED		.X +/- .1 .XX +/- .01 ∠ +/- .5				





 TOLERANCE UNLESS OTHERWISE NOTED .X +/- .1 .XX +/- .01 ∠ +/- .5	TITLE	OPTDEWAR WINDOW LID		ORGANIZATION	ASTRONOMICAL INSTITUTE, TOHOKU UNIVERSITY	
	MATERIAL	Aluminun		DESIGN	CHIHIRO TOKOKU	
	DIMENSIONS	mm		REVISED DATE	12/24/2008	
	QUANTITY	1		DRAWING SIZE	A3	SCALE 1:1

