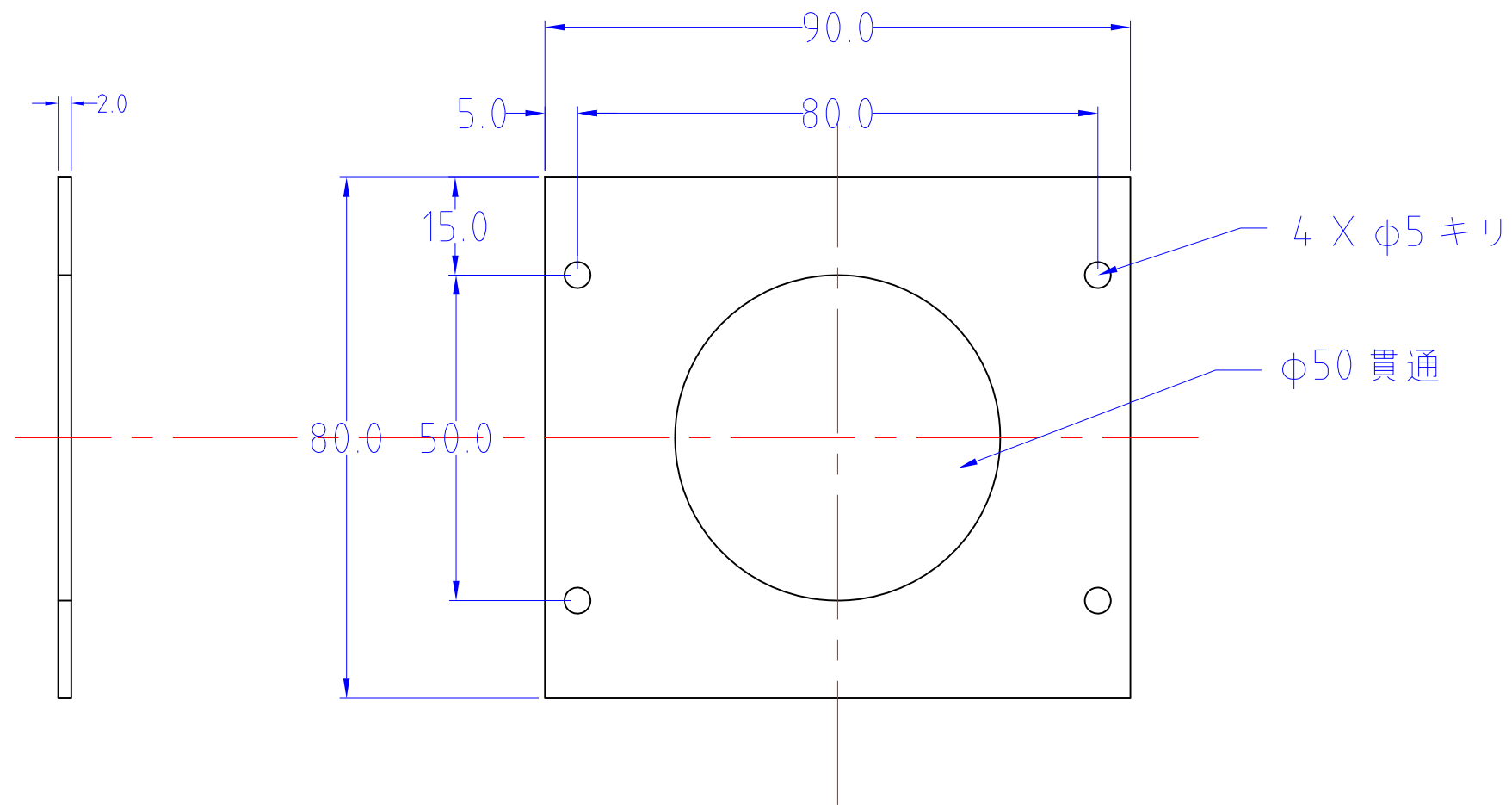


※ 表面精度（板の表面・裏面、溝の底面・側面ともに）Ra=1.6

	TITLE	OPTDEWAR THERMAL MOUNT	ORGANIZATION	ASTRONOMICAL INSTITUTE, TOHOKU UNIVERSITY	
	TOLERANCE UNLESS OTHERWISE NOTED	MATERIAL	OFHC	DESIGN	CHIHIRO TOKOKU
	.X +/- .1 .XX +/- .01 L +/- .5	DIMENSIONS	mm	REVISED DATE	12/26/2008
	QUANTITY	1	DRAWING SIZE	A3	SCALE



※ 表面精度（裏表ともに）Ra=1.6

	TITLE	OPTDEWAR THERMAL COVER		ORGANIZATION	ASTRONOMICAL INSTITUTE, TOHOKU UNIVERSITY	
	MATERIAL	OFHC		DESIGN	CHIIHIRO TOKOKU	
	DIMENSIONS	mm		REVISED DATE	12/26/2008	
	QUANTITY	1		DRAWING SIZE	A3	SCALE
TOLERANCE UNLESS OTHERWISE NOTED .X +/- .1 .XX +/- .01 ∠ +/- .5						